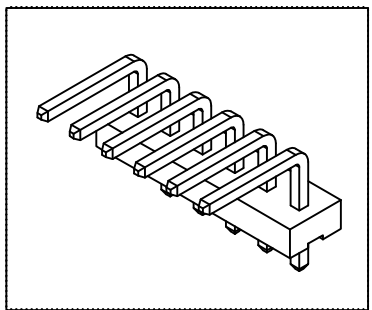
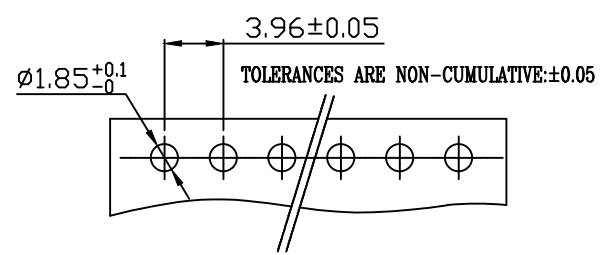
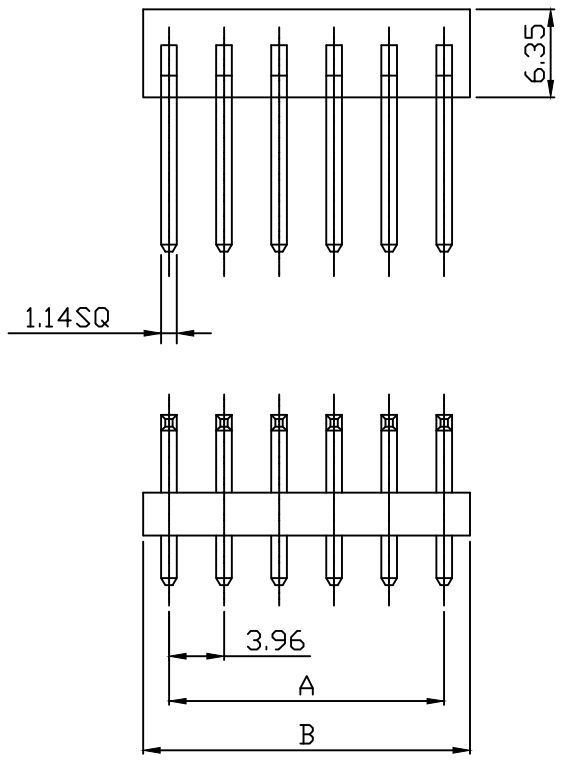
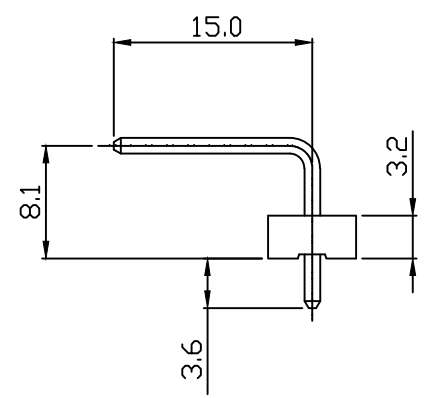


10 9 8 7 6 5 4 3 2 1

PART NO. C3965xxWR051  
 DWG NO. C3965WR



**RECOMMENDED PCB LAYOUT**  
 (PCB THK=1.0~1.6)



Dimensional & Ordering Information:

Part No.	Circuits	Dim A	Dim B
396502WR051	2	3.96	7.92
396503WR051	3	7.92	11.88
396504WR051	4	11.88	15.84
396505WR051	5	15.84	19.80
396506WR051	6	19.80	23.76
396507WR051	7	23.76	27.72
396508WR051	8	27.72	31.68
396509WR051	9	31.68	35.64
396510WR051	10	35.64	39.60
396511WR051	11	39.60	43.56
396512WR051	12	43.56	47.52
396513WR051	13	47.52	51.48
396514WR051	14	51.48	55.44
396515WR051	15	55.44	59.40

NOTE:

1. Wafer Material: Nylon 66 UL94V-2  
Pin/Pos Material: brass bronze.
2. Plated: Tin-plated 50u"min.
3. Insulation resistance: 1000M ohm/min.
4. Withstand voltage: 1500V AC/minute.
5. Current rating: 5A AC/DC.
6. Voltage rating: 250V AC/DC

UNLESS OTHERWISE SPECIFIED TOLERANCES				 <b>EXCON TECHNOLOGY COMPANY</b>		
3 PLACE ±0.5 ±0.10						
2 PLACE ±1.5 ±0.35						
1 PLACE ±2.0 ±0.50				PART.NO		
REV.	REVISION		DIS	DATE	DWG NO:	
SCALE	REV.	PAGE:	UNIT	m m	C3965WR	
3/1	A	1/1	THIRD ANGLE PROJECTION		3965xxWR051	

10 9 8 7 6 5 4 3 2 1