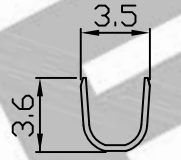
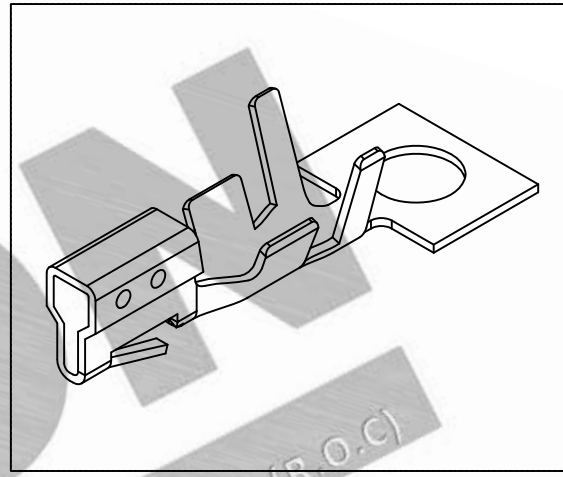
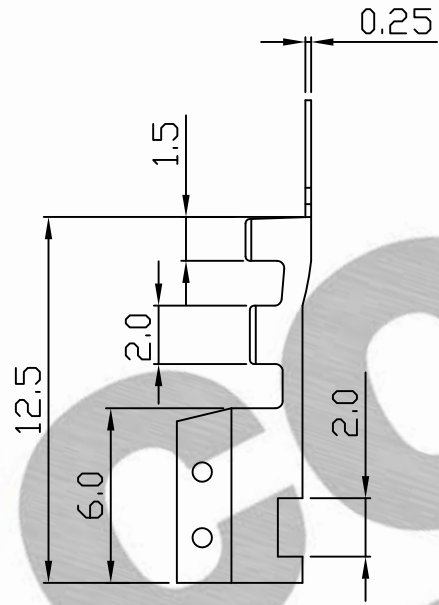
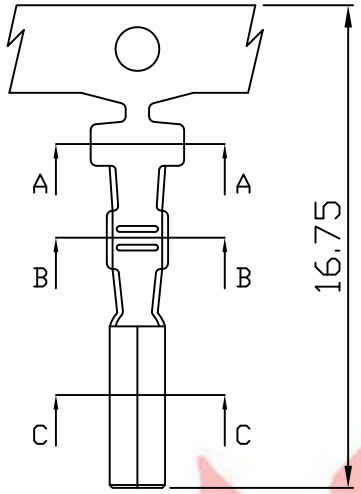
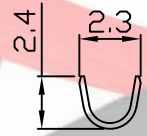


10 9 8 7 6 5 4 3 2 1

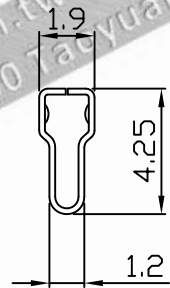
PART NO. 396500TCxxx
 DWG NO. C3965TC



SEC A-A



SEC B-B



SEC C-C

NOTE:

1. Terminal Material: Brass , Phosphor
2. Plated: Tin-plated 50u"min.
3. Applicable wires: AWG#24-#18
4. Insulation O.D.: 1.3-3.2mm
5. Q'ty / reel: 5,000 pcs

Ordering Information:

Part No.	Material	Q'ty/reel
396500TC051	Brass	5,000pcs
396500TC351	Phosphor	5,000pcs

				UNLESS OTHERWISE SPECIFIED TOLERANCES	
				3 PLACE ±0.5 ±0.10	
				2 PLACE ±1.5 ±0.35	
				1 PLACE ±2.0 ±0.50	
				ANGLE DIM	
REV.	REVISIONI		DIS	DATE	
SCALE	REV.	PAGE:	UNIT	mm	
5/1	A	1/1	THIRD ANGLE PROJECTION		
				DWG NO:	C3965TC

EXCON

EXCON TECHNOLOGY COMPANY

PART.NO

396500TCxxx

F
E
D
C
B
A

F
E
D
C
B
A

10 9 8 7 6 5 4 3 2 1