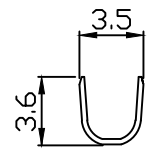
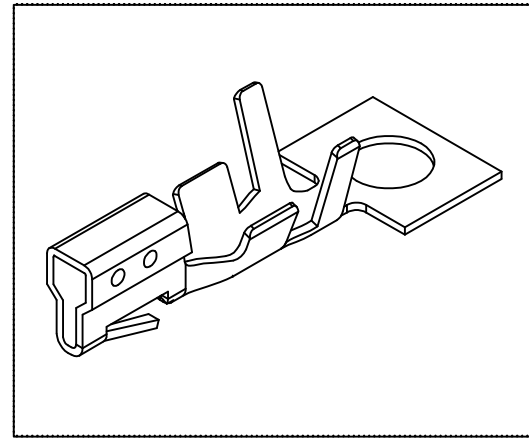
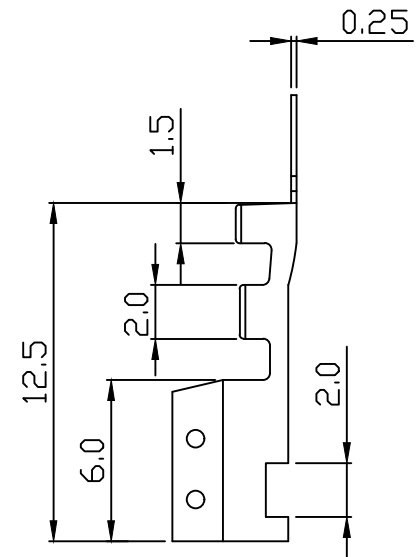
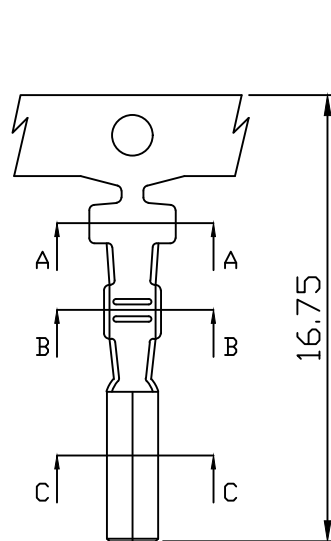
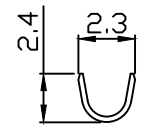


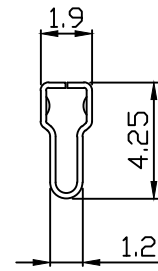
PART NO. C396500TCxxx  
 DWG NO. C3965TC



SEC A-A



SEC B-B



SEC C-C

**NOTE:**

1. Terminal Material: Brass , Phosphor
2. Plated: Tin-plated 50u"min.
3. Applicable wires: AWG#24-#18
4. Insulation O.D.: 1.3-3.2mm
5. Q'ty / reel: 5,000 pcs

**Ordering Information:**

Part No.	Material	Q'ty/reel
396500TC051	Brass	5,000pcs
396500TC351	Phosphor	5,000pcs

UNLESS OTHERWISE SPECIFIED TOLERANCES  
 3 PLACE ±0.5 ±0.10  
 2 PLACE ±1.5 ±0.35  
 1 PLACE ±2.0 ±0.50  
 ANGLE DIM



REV.	REVISION		DIS	DATE	DWG NO:	PART.NO
5/1	A	1/1	THIRD ANGLE PROJECTION		C3965TC	396500TCxxx

Grid lines: 10, 9, 8, 7, 6, 5, 4, 3, 2, 1 (horizontal); A, B, C, D, E, F (vertical)