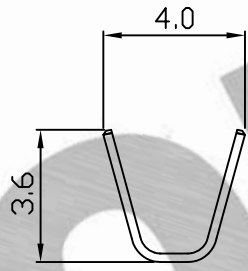
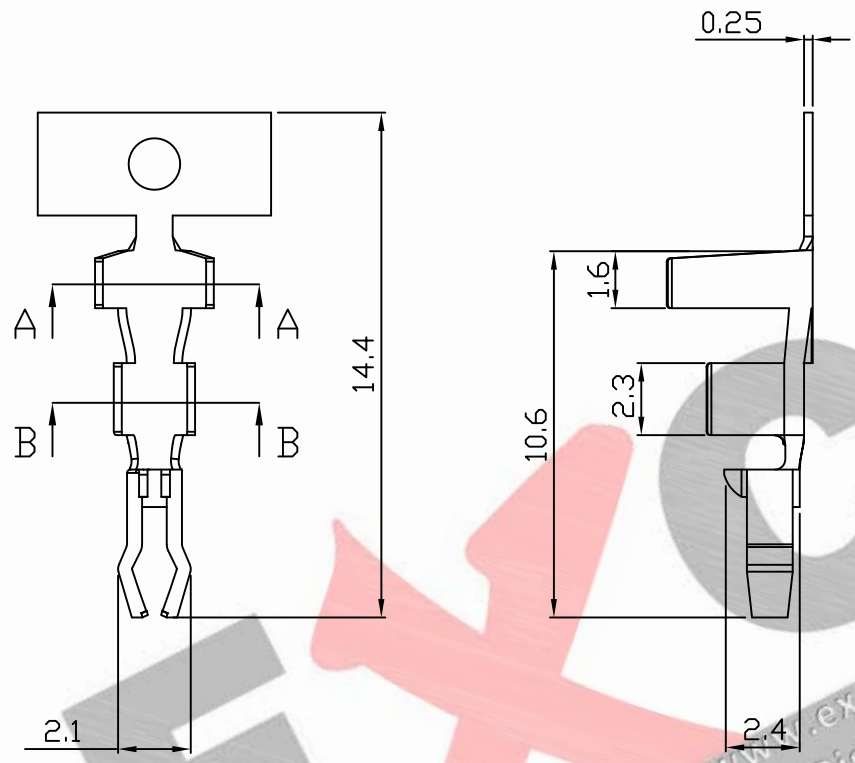
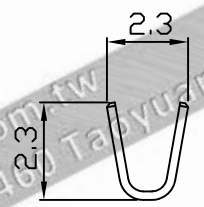


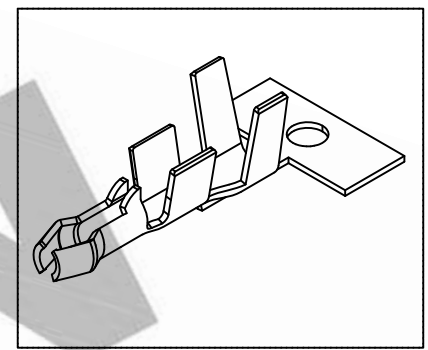
PART NO. 396400TCxxx
 DWG NO. C3964TC



SEC A-A



SEC B-B



NOTE:

1. Terminal Material: Brass and Phosphor
2. Plated: Ni 25u"min Tin-plated 50u"min.
3. Applicable wires: AWG#22~#16
4. Q'ty / reel: 6,000 pcs

Part No.	Material	Finishing
396400TC001	Brass	Tin plated
396400TC051		Tin pre-plated
396400TC301	Phosphor	Tin plated
396400TC351		Tin pre-plated

UNLESS OTHERWISE SPECIFIED TOLERANCES
 3 PLACE ±0.5 ±0.10
 2 PLACE ±1.5 ±0.35
 1 PLACE ±2.0 ±0.50
 ANGLE DIM



REV.	REVISION	DIS	DATE	DWG NO:	PART.NO
4/1	A	1	THIRD ANGLE PROJECTION	C3964TC	396400TCxxx