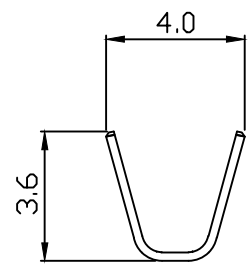
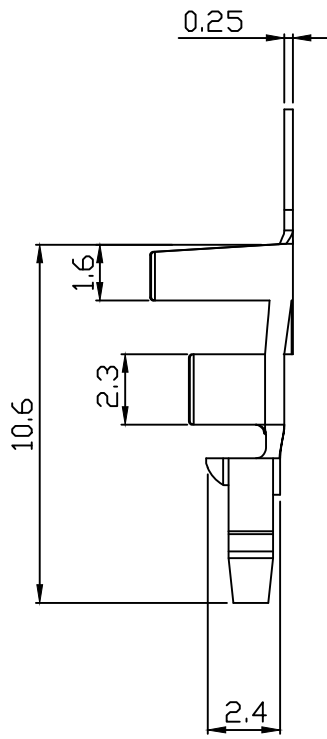
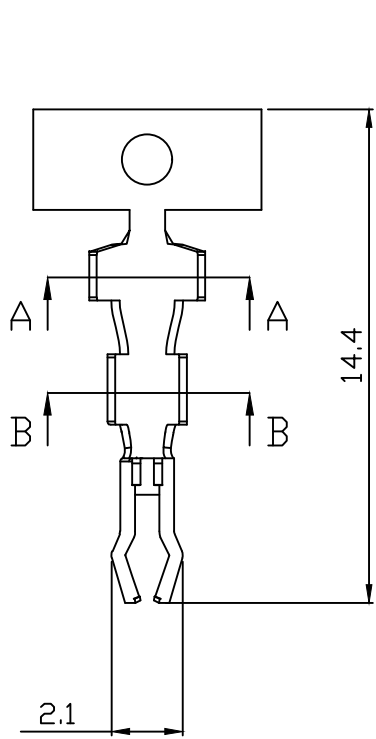
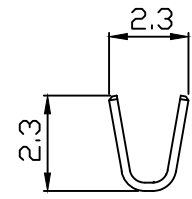


10 9 8 7 6 5 4 3 2 1

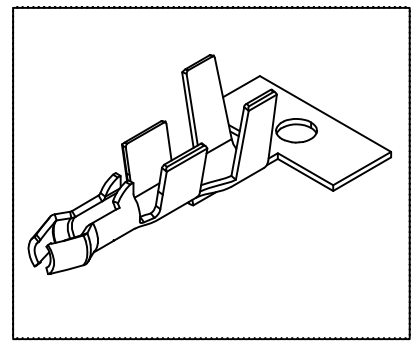
PART NO.
396400TC001
DWG NO.
C3964TC



SEC A-A



SEC B-B



NOTE:

1. Terminal Material: Brass and Phosphor
2. Plated: Ni 25u"min Tin-plated 50u"min.
3. Applicable wires: AWG#22~#16
4. Q'ty / reel: 6,000 pcs

Part No.	Material	Finishing
250200TC001	Brass	Tin plated
250200TC051		Tin pre-plated
250200TC301	Phosphor	Tin plated
250200TC351		Tin pre-plated

UNLESS OTHERWISE SPECIFIED TOLERANCES
 3 PLACE ±0.5 ±0.10
 2 PLACE ±1.5 ±0.35
 1 PLACE ±2.0 ±0.50
 ANGLE DIM



REV.	REVISION	DIS	DATE
SCALE	REV.	PAGE:	UNIT
4/1	A	1	mm

THIRD ANGLE PROJECTION

DWG NO:	PART.NO
C3964TC	396400TC001

10 9 8 7 6 5 4 3 2 1