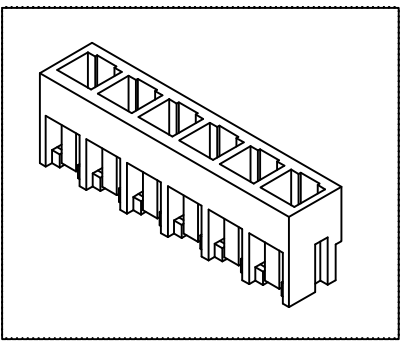


PART NO. 3964xxHA001
 DWG NO. C3964HA

3.96 ± 0.05
 TOLERANCES ARE NON-CUMULATIVE: ± 0.05
 $\phi 1.8^{+0.1}_0$

RECOMMENDED PCB LAYOUT
 (PCB THK=1.0~1.6)



Dimensional & Ordering Information:

Part No.	Circuits	Dim A	Dim B
396402HA001	2	3.96	8.42
396403HA001	3	7.92	12.38
396404HA001	4	11.88	16.34
396405HA001	5	15.84	20.30
396406HA001	6	19.80	24.26
396407HA001	7	23.76	28.22
396408HA001	8	27.72	32.18
396409HA001	9	31.68	36.14
396410HA001	10	35.64	40.10
396411HA001	11	39.60	44.06
396412HA001	12	43.56	48.02
396413HA001	13	47.52	51.98
396414HA001	14	51.48	55.94
396415HA001	15	55.44	59.90

- NOTE:
- Housing Material: Nylon 66 UL94V0
 - Color: Natural
 - Insulation resistance: 1000M Ω min.
 - Withstand voltage: 800V AC/minute.
 - Current rating: 5A AC/DC.
 - Voltage rating: 250V AC/DC

UNLESS OTHERWISE SPECIFIED TOLERANCES			
3 PLACE $\pm 0.5 \pm 0.10$			
2 PLACE $\pm 1.5 \pm 0.35$			
1 PLACE $\pm 2.0 \pm 0.50$			
ANGLE DIM			
REV.	REVISION		DIS DATE
SCALE	REV.	PAGE:	UNIT mm
4/1	A	1	THIRD ANGLE PROJECTION
DWG NO:			C3964HA

EXCON

EXCON TECHNOLOGY COMPANY

PART.NO

3964xxHA001