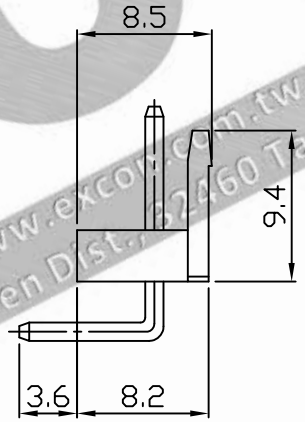
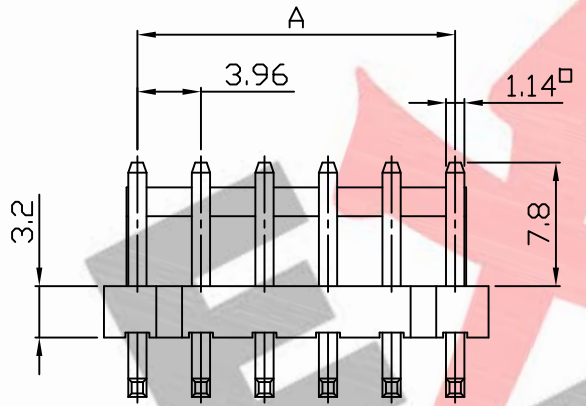
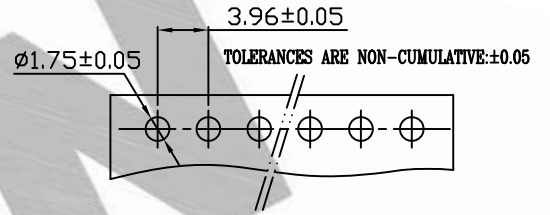
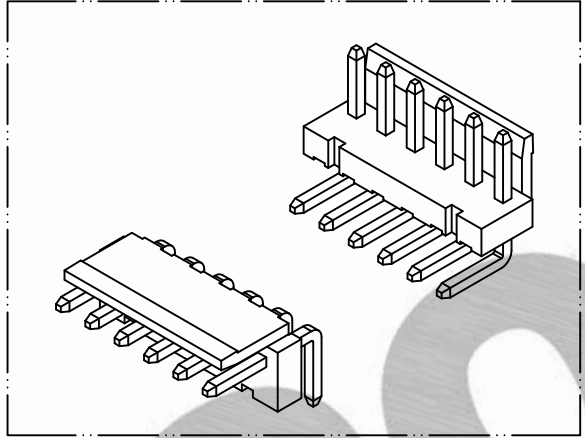
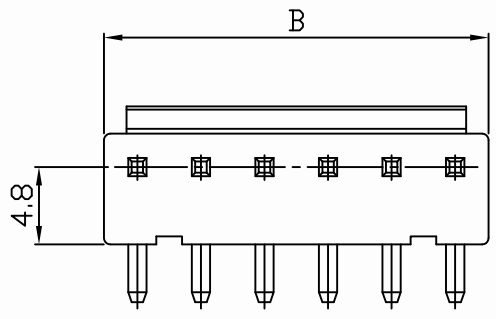


PART NO. 3962xxWR001
 DWG NO. C3962WR



Dimensional & Ordering Information:

Part No.	Circuits	Dim A	Dim B	Dim C
396202WR001	2	5.30	7.92	3.96
396203WR001	3	9.26	11.88	7.92
396204WR001	4	13.22	15.84	11.88
396205WR001	5	17.18	19.80	15.84
396206WR001	6	21.14	23.76	19.80
396207WR001	7	25.10	27.72	23.76
396208WR001	8	29.06	31.68	27.72
396209WR001	9	33.02	35.64	31.68
396210WR001	10	36.98	39.60	35.64
396211WR001	11	40.94	43.56	39.60
396212WR001	12	44.90	47.52	43.56
396213WR001	13	48.86	51.48	47.52

- NOTE:
1. Wafer Material: Nylon 66 UL94V-0
Pin/Pos Material: brass bronze.
 2. Plated: Tin-plated 50u"min.
 3. Insulation resistance: 1000M ohm/min.
 4. Withstand voltage: 1500V AC/minute.
 5. Current retang: 5A AC/DC.
 6. Voltage rating: 250V AC/DC

				UNLESS OTHERWISE SPECIFIED TOLERANCES		EXCON EXCON TECHNOLOGY COMPANY
				3 PLACE ± 0.5 ± 0.10		
				2 PLACE ± 1.5 ± 0.25		
				1 PLACE ± 2.0 ± 0.50		
				ANGLE DIM		
REV.	REVISIONI			DIS	DATE	
SCALE	REV.	PAGE:	UNIT	mm		DWG NO:
2/1	A	1	THIRD ANGLE PROJECTION			C3962WR
					PART.NO	
					3962xxWR001	