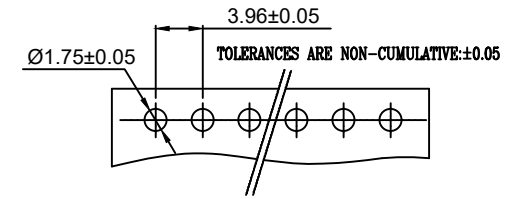
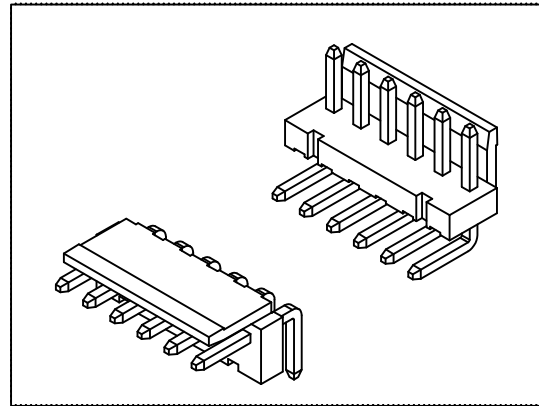
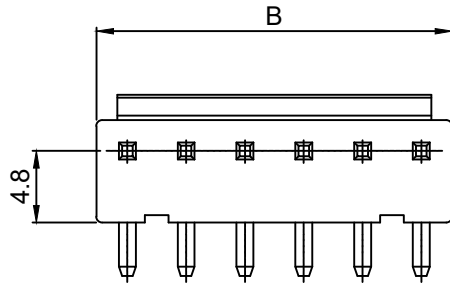
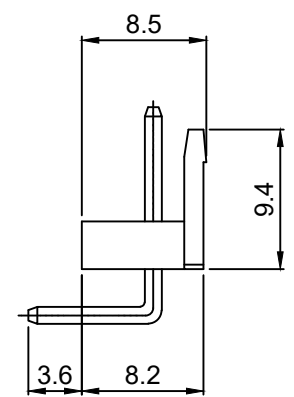
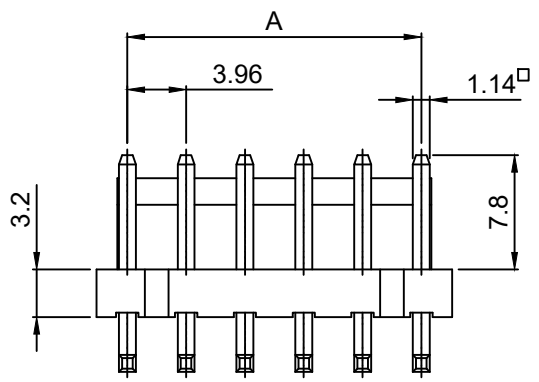


PART NO. 3962xxWR001
 DWG NO. C3962WR



RECOMMENDED PCB LAYOUT
 (PCB THK=1.0~1.6)



Dimensional & Ordering Information:

Part No.	Circuits	Dim A	Dim B
396202WR001	2	3.96	7.92
396203WR001	3	7.92	11.88
396204WR001	4	11.88	15.84
396205WR001	5	15.84	19.80
396206WR001	6	19.80	23.76
396207WR001	7	23.76	27.72
396208WR001	8	27.72	31.68
396209WR001	9	31.68	35.64
396210WR001	10	35.64	39.60
396211WR001	11	39.60	43.56
396212WR001	12	43.56	47.52
396213WR001	13	47.52	51.48

NOTE:

1. Wafer Material: Nylon 66 UL94V-0
Pin/Pos Material: brass bronze.
2. Plated: Tin-plated 50u"min.
3. Insulation resistance: 1000M ohm/min.
4. Withstand voltage: 1500V AC/minute.
5. Current rating: 5A AC/DC.
6. Voltage rating: 250V AC/DC

REV.	REVISION	DIS	DATE

UNLESS OTHERWISE SPECIFIED TOLERANCES
 3 PLACE $\pm 0.5 \pm 0.10$
 2 PLACE $\pm 1.5 \pm 0.25$
 1 PLACE $\pm 2.0 \pm 0.50$
 ANGLE DIM

SCALE	REV.	PAGE	UNIT	DWG NO:
2/1	A	1	mm	C3962WR

EXCON
 EXCON TECHNOLOGY COMPANY

PART.NO
 3962xxWR001