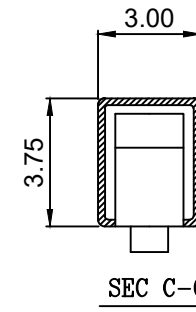
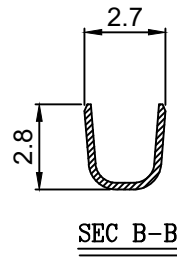
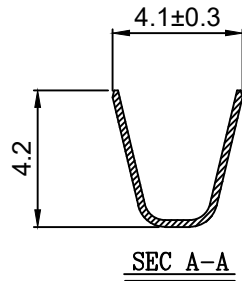
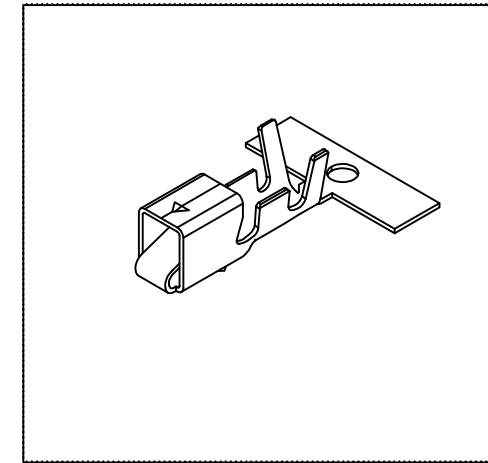
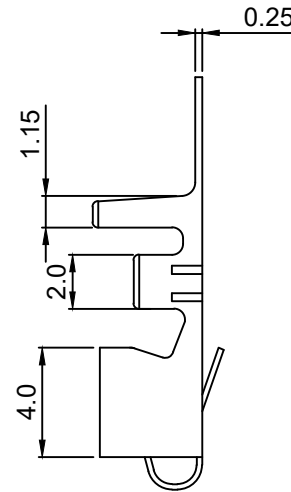
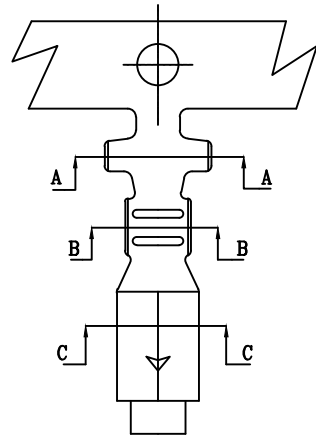


PART NO. 396200TYxxx  
 DWG NO. C3962TY



**NOTE:**

1. Terminal Material: Brass
2. Plated: Tin-plated 50u"min.
3. Applicable wires: AWG#18-#22
4. Insulation O.D.: 1.7-3.0mm
5. Q'ty / reel:4,000 pcs

| Part No.                              | Wire Range | Insulation O.D. | Material               | Finish         | Q'ty/reel   |
|---------------------------------------|------------|-----------------|------------------------|----------------|-------------|
| 396200TC351                           | AWG#16~#20 | 3.0-1.7mm       | Phosphor               | Tin pre-plated | 4,000pcs    |
| 396200TC051                           | AWG#16~#20 | 3.0-1.7mm       | Brass                  | Tin pre-plated | 4,000pcs    |
| UNLESS OTHERWISE SPECIFIED TOLERANCES |            |                 |                        |                |             |
| 3 PLACE ±0.5 ±0.10                    |            |                 |                        |                |             |
| 2 PLACE ±1.5 ±0.25                    |            |                 |                        |                |             |
| 1 PLACE ±2.0 ±0.50                    |            |                 |                        |                |             |
| REV.                                  | REVISION   | DIS             | DATE                   | ANGLE DIM      |             |
| SCALE                                 | REV.       | PAGE:           | UNIT                   | mm             | DWG NO:     |
| 5/1                                   | A          | 1               | THIRD ANGLE PROJECTION |                | C3962TY     |
|                                       |            |                 |                        |                | PART.NO     |
|                                       |            |                 |                        |                | 396200TYxxx |