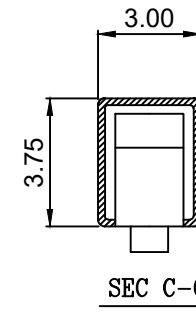
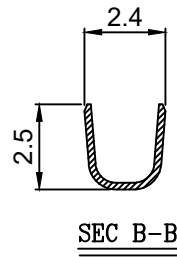
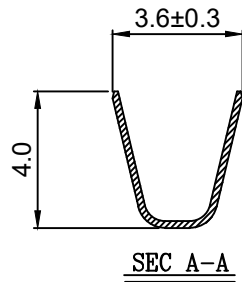
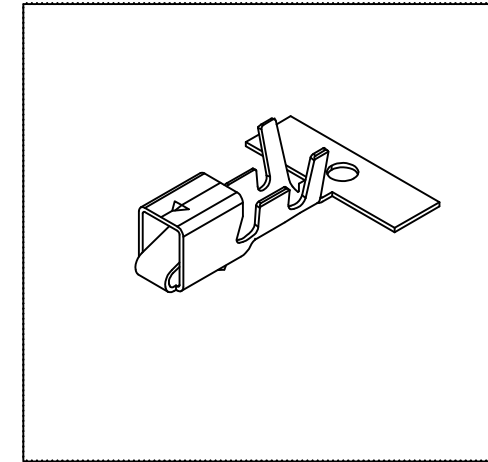
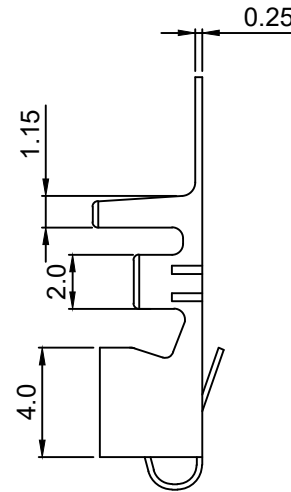
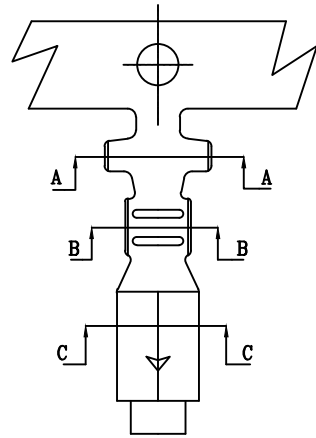


PART NO. 396200TCxxx  
 DWG NO. C3962TC



**NOTE:**

1. Terminal Material: Brass
2. Plated: Tin-plated 50u"min.
3. Applicable wires: AWG#18-#22
4. Insulation O.D.: 1.7-3.0mm
5. Q'ty / reel:4,000 pcs

Part No.	Wire Range	Insulation O.D.	Material	Finish	Q'ty/reel
396200TC351	AWG#18~#22	3.0-1.7mm	Phosphor	Tin pre-plated	4,000pcs
396200TC051	AWG#18~#22	3.0-1.7mm	Brass	Tin pre-plated	4,000pcs
UNLESS OTHERWISE SPECIFIED TOLERANCES					
3 PLACE ±0.5 ±0.10					
2 PLACE ±1.5 ±0.25					
1 PLACE ±2.0 ±0.50					
REV.	REVISION	DIS	DATE	ANGLE DIM	
SCALE	REV.	PAGE:	UNIT	mm	DWG NO:
5/1	A	1	THIRD ANGLE PROJECTION		C3962TC
					PART.NO
					396200TCxxx