

10 9 8 7 6 5 4 3 2 1

PART NO. 3962xxHC001
 DWG NO. C3962HC

F

D

C

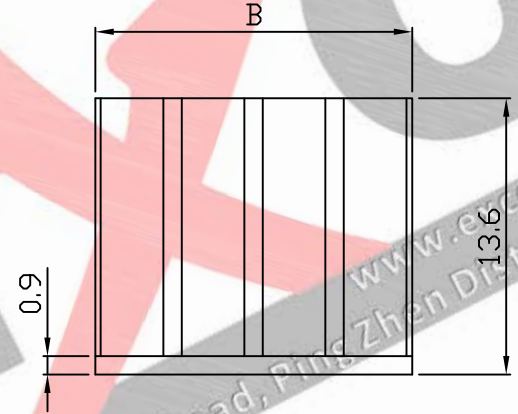
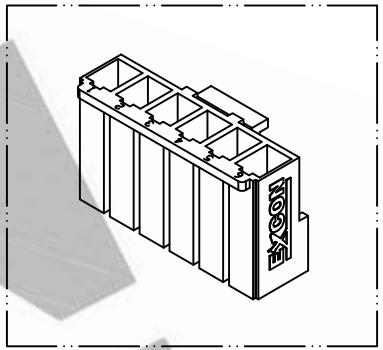
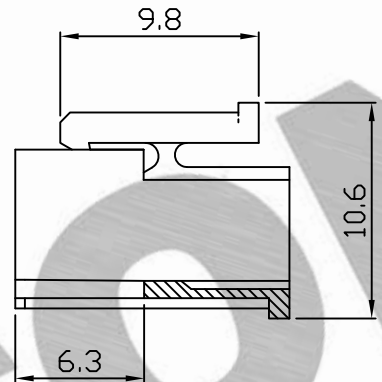
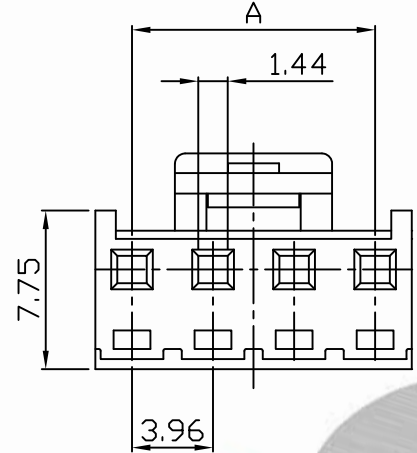
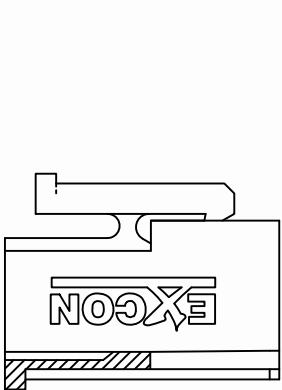
B

A

A

A

10 9 8 7 6 5 4 3 2 1



NOTE:

1. Housing Material: Nylon 66 UL94V-0
2. Insulation resistance: 1000M ohm/min.
3. Withstand voltage: 1500V AC/minute.
4. Current rating: 5A AC/DC.
5. Voltage rating: 250V AC/DC

Dimensional & Ordering Information:

Part No.	Circuits	Dim A	Dim B
396202HC001	2	3.96	7.92
396203HC001	3	7.92	11.88
396204HC001	4	11.88	15.84
396205HC001	5	15.84	19.80
396206HC001	6	19.80	23.76
396207HC001	7	23.76	27.72
396208HC001	8	27.72	31.68
396209HC001	9	31.68	35.64
396210HC001	10	35.64	39.60
396211HC001	11	39.60	43.56
396212HC001	12	43.56	47.52

UNLESS OTHERWISE SPECIFIED TOLERANCES			
3 PLACE ±0.5 ±0.10			
2 PLACE ±1.5 ±0.25			
1 PLACE ±2.0 ±0.50			
ANGLE DIM			
REV.	REVISION		DIS DATE
SCALE	REV.	PAGE:	UNIT mm
2/1	A	1	THIRD ANGLE PROJECTION

EXCON

EXCON TECHNOLOGY COMPANY

PART.NO

3962xxHC001

10 9 8 7 6 5 4 3 2 1