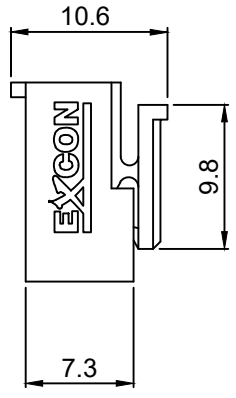
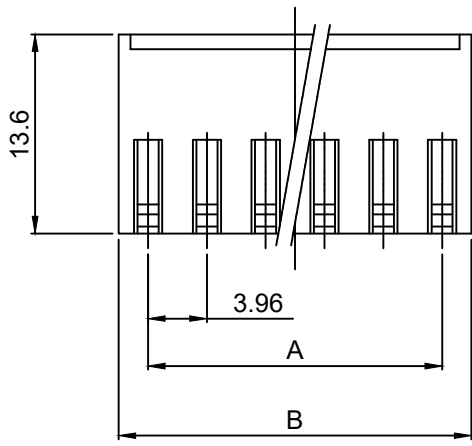
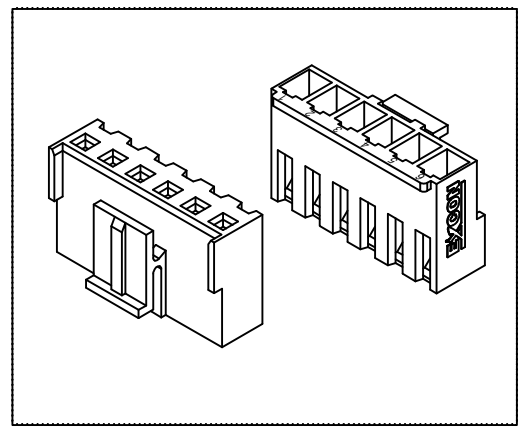
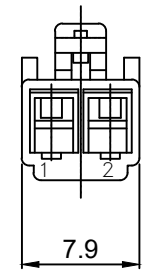
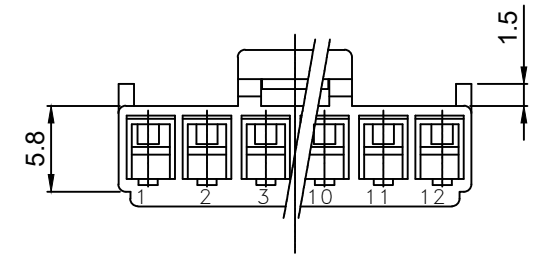


PART NO. 3962xxHA001
 DWG NO. C3962HA



Dimensional & Ordering Information:

Part No.	Circuits	Dim A	Dim B
396202HA001	2	3.96	7.92
396203HA001	3	7.92	11.88
396204HA001	4	11.88	15.84
396205HA001	5	15.84	19.80
396206HA001	6	19.80	23.76
396207HA001	7	23.76	27.72
396208HA001	8	27.72	31.68
396209HA001	9	31.68	35.64
396210HA001	10	35.64	39.60
396211HA001	11	39.60	43.56
396212HA001	12	43.56	47.52
396213HA001	13	47.52	51.48

NOTE:

1. Housing Material: Nylon 66 UL94V-0
2. Insulation resistance: 1000M ohm/min.
3. Withstand voltage: 1500V AC/minute.
4. Current rating: 5A AC/DC.
5. Voltage rating: 250V AC/DC

				UNLESS OTHERWISE SPECIFIED TOLERANCES		 EXCON TECHNOLOGY COMPANY
				3 PLACE ±0.5 ±0.10		
				2 PLACE ±1.5 ±0.25		
				1 PLACE ±2.0 ±0.50		
				ANGLE DIM		
REV.	REVISION		DIS	DATE		
SCALE	REV.	PAGE	UNIT	mm		DWG NO:
2/1	A	1	THIRD ANGLE PROJECTION			C3962HA
					PART.NO	
					3962xxHA001	