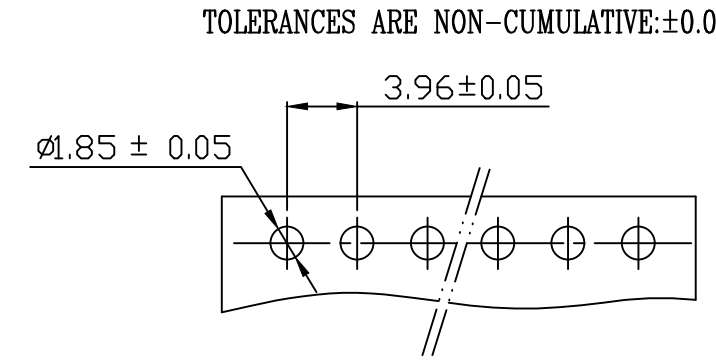
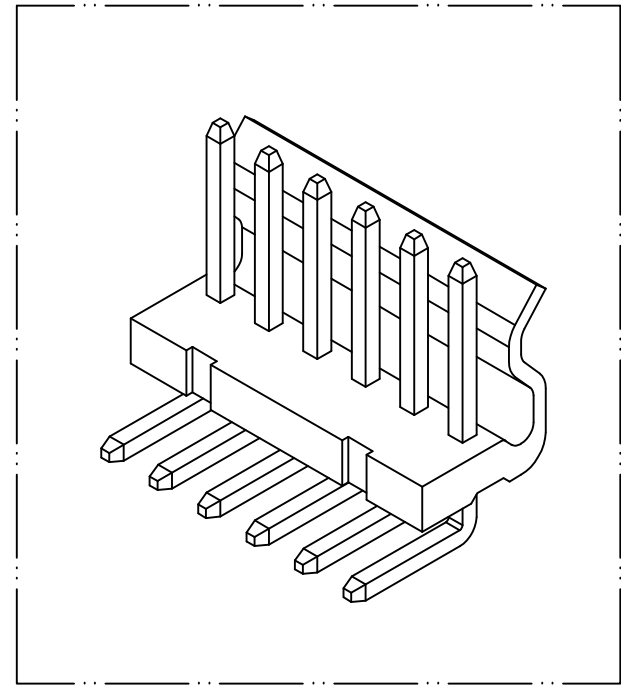
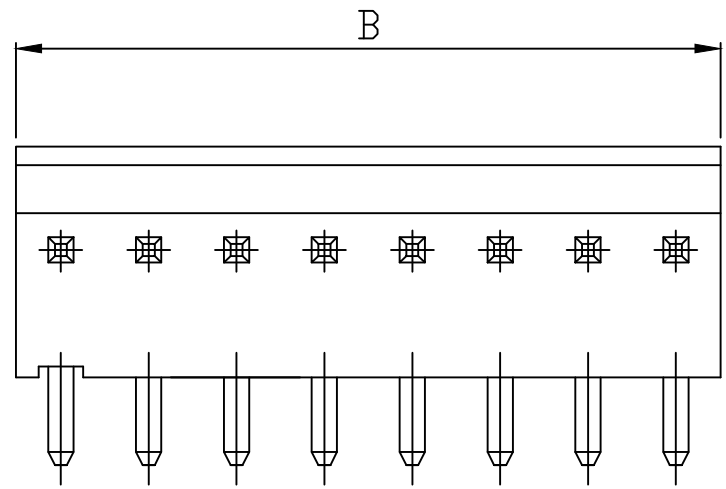
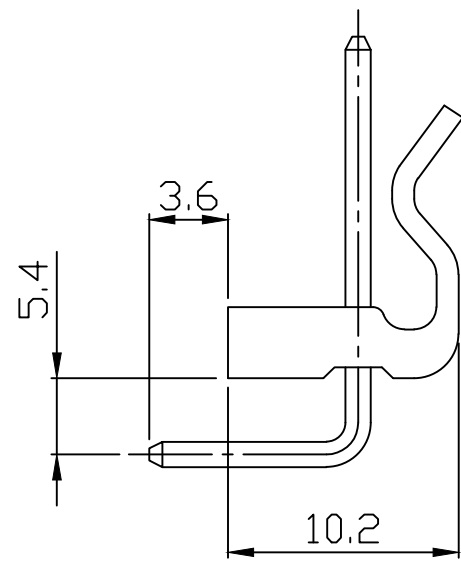
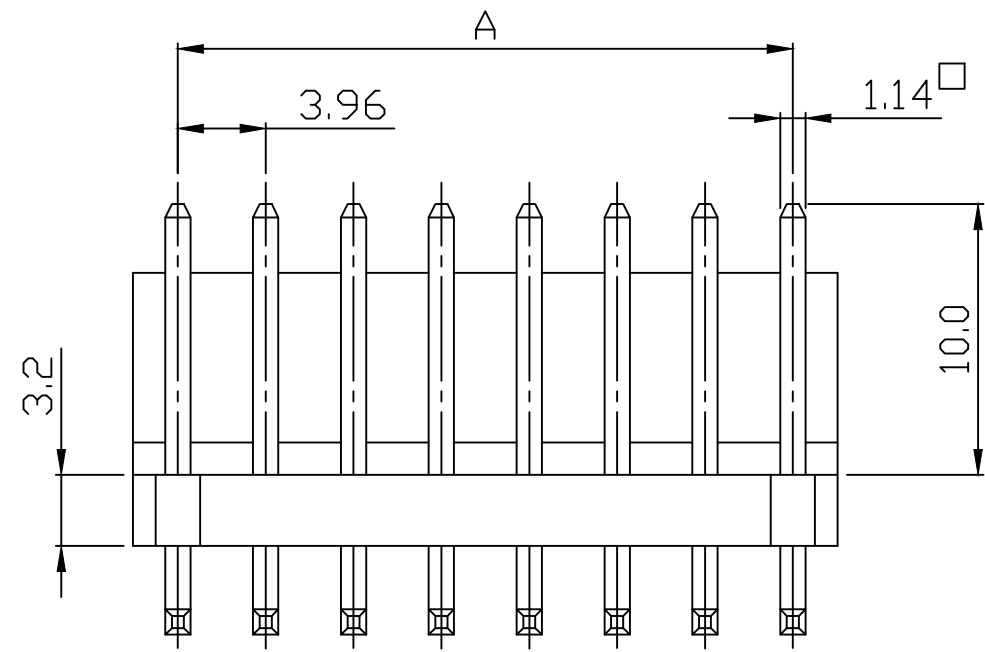


PART NO. 3961xxWR051
 DWG NO. C3961WR



RECOMMENDED PCB LAYOUT
 (PCB THK=1.0~1.6)



Dimensional & Ordering Information:

Part No.	Circuits	Dim A	Dim B
396102WR051	2	3.96	7.92
396103WR051	3	7.92	11.88
396104WR051	4	11.88	15.84
396105WR051	5	15.84	19.80
396106WR051	6	19.80	23.76
396107WR051	7	23.76	27.72
396108WR051	8	27.72	31.68
396109WR051	9	31.68	35.64
396110WR051	10	35.64	39.60
396111WR051	11	39.60	43.56
396112WR051	12	43.56	47.52
396113WR051	13	47.52	51.48
396114WR051	14	51.48	55.44
396115WR051	15	55.44	59.40
396116WR051	16	59.40	63.36
396117WR051	17	63.36	67.32
396118WR051	18	67.32	71.28
396119WR051	19	71.28	75.24
396120WR051	20	75.24	79.20

NOTE:

1. Wafer Material: Nylon 66 UL94V-2
Pin/Pos Material: brass bronze.
2. Plated: Tin-plated 50u"min.
3. Insulation resistance: 1000M ohm/min.
4. Withstand voltage: 1500V AC/minute.
5. Current rating: 5A AC/DC.
6. Voltage rating: 250V AC/DC

REV.	REVISION		DIS	DATE
SCALE	REV.	PAGE	UNIT	mm
1/1	A	1	THIRD ANGLE PROJECTION	

UNLESS OTHERWISE SPECIFIED TOLERANCES
 3 PLACE ±0.5 ±0.10
 2 PLACE ±1.5 ±0.25
 1 PLACE ±2.0 ±0.50
 ANGLE DIM

DWG NO: C3961WR

EXCON
 EXCON TECHNOLOGY COMPANY

PART.NO: 3961xxWR051