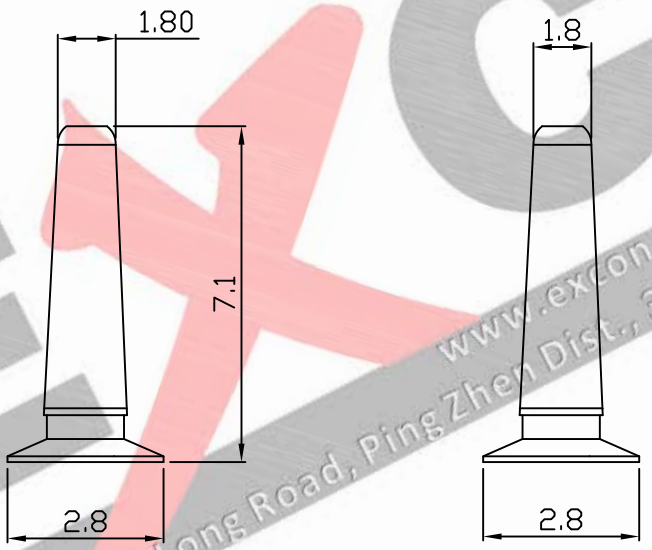
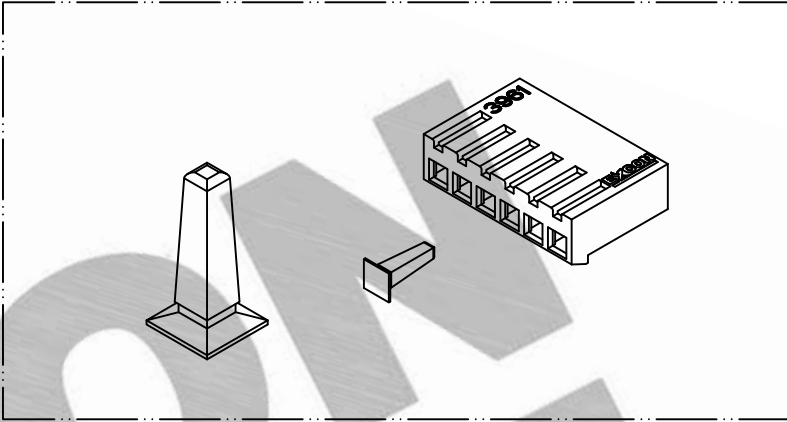
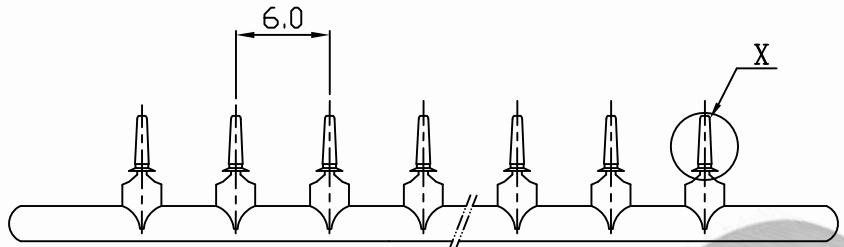


10 9 8 7 6 5 4 3 2 1

PART NO. 396100HK202
 DWG NO. C3961HK



DETAIL X

Part No.	Color
396100HK202	White
396100HK203	Black

NOTE:

1. Part No.: 396100HK202,396100HK203
2. Part Name: 3961 Key
3. Material: PBT UL94 V0
4. Color: Black ,White

				UNLESS OTHERWISE SPECIFIED TOLERANCES	
				3 PLACE ±0.5 ±0.10	
				2 PLACE ±1.5 ±0.25	
				1 PLACE ±2.0 ±0.50	
				ANGLE DIM	
REV.	REVISION		DIS	DATE	
SCALE	REV.	PAGE:	UNIT	MM	
8/1	A	1	THIRD ANGLE PROJECTION	DWG NO: C3961HK	

EXCON
 EXCON TECHNOLOGY COMPANY

PART.NO
 396100HK202

F

E

D

D

C

C

B

B

A

A

10

9

8

7

6

5

4

3

2

1

