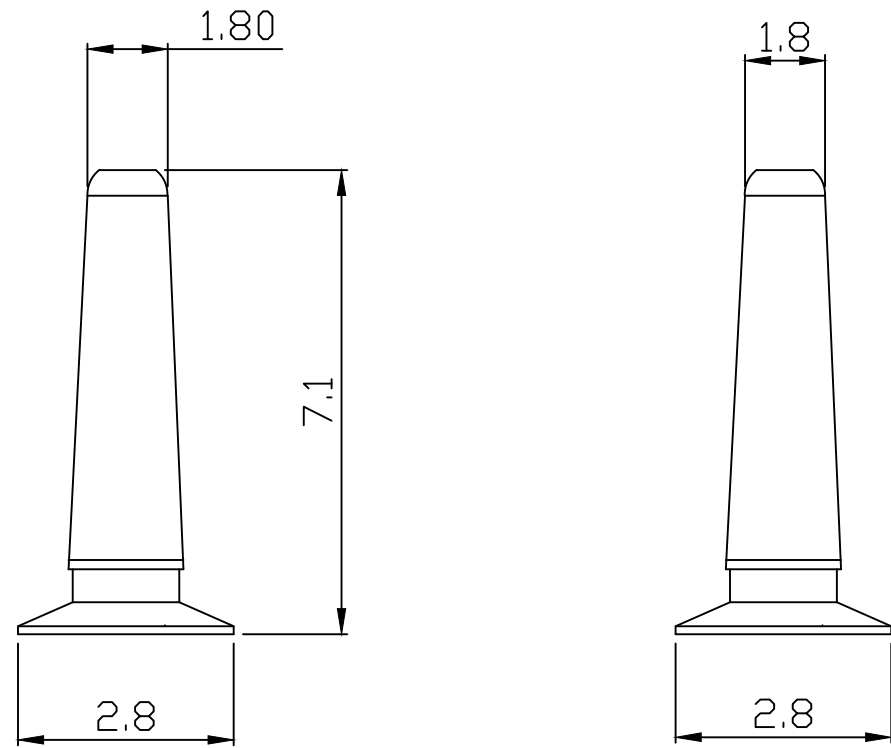
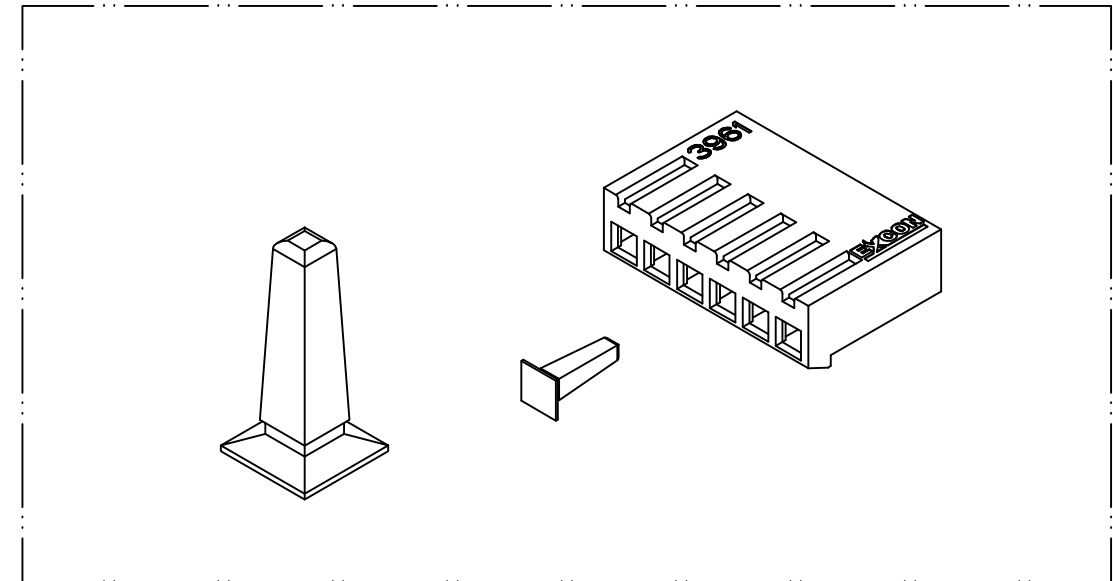
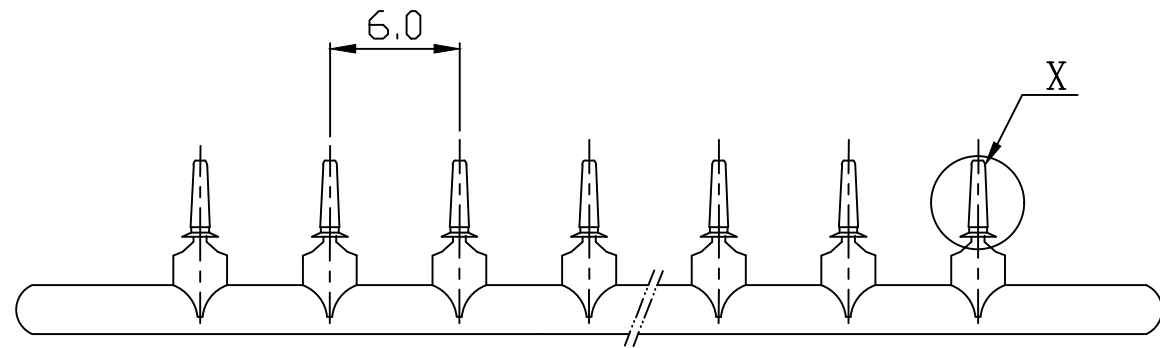


10 9 8 7 6 5 4 3 2 1

PART NO. 396100HK202  
 DWG NO. C3961HK



DETAIL X

NOTE:

1. Part No.: 396100HK202,396100HK203
2. Part Name: 3961 Key
3. Material: PBT UL94 V0
4. Color: Black ,White

Part No.	Color
396100HK202	White
396100HK203	Black

				UNLESS OTHERWISE SPECIFIED TOLERANCES		 EXCON TECHNOLOGY COMPANY
				3 PLACE ±0.5 ±0.10		
				2 PLACE ±1.5 ±0.25		
				1 PLACE ±2.0 ±0.50		
REV.	REVISION			DIS	DATE	ANGLE DIM
SCALE	REV.	PAGE:	UNIT	mm		DWG NO:
8/1	A	1	THIRD ANGLE PROJECTION			C3961HK
						PART.NO
						396100HK202

10 9 8 7 6 5 4 3 2 1

E

D

C

B

A

F

E

D

C

B

A