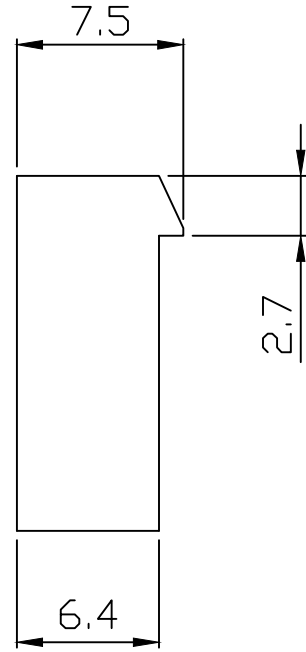
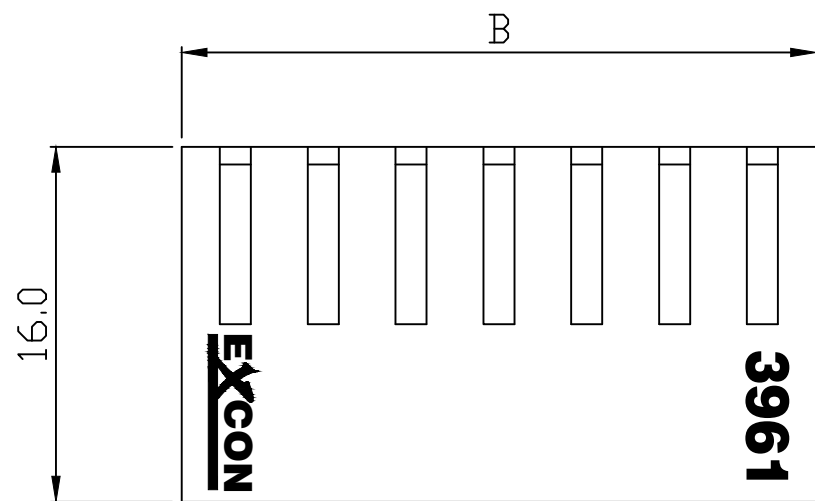
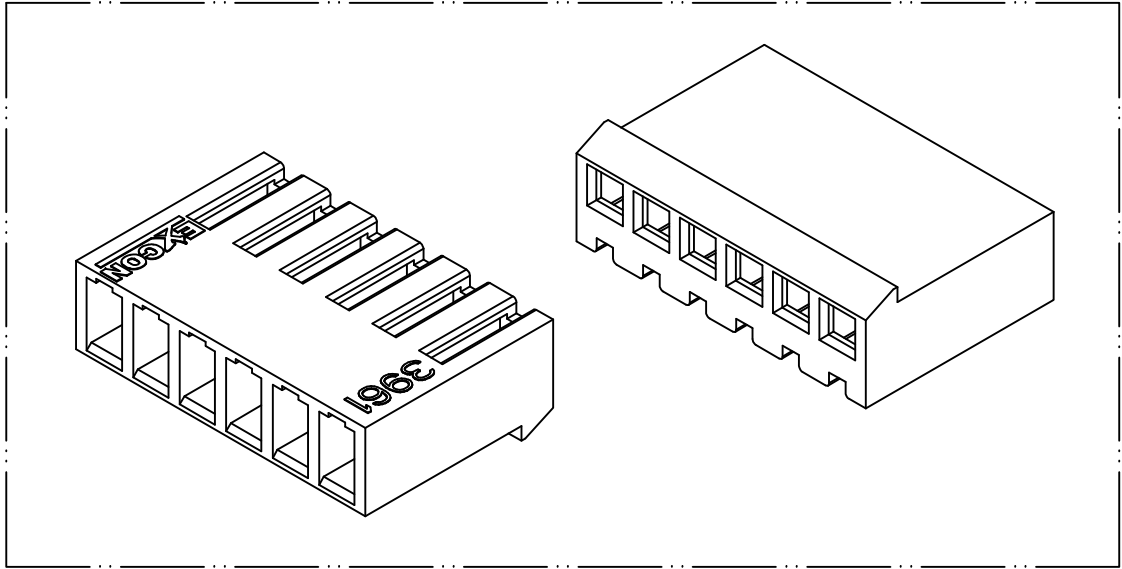
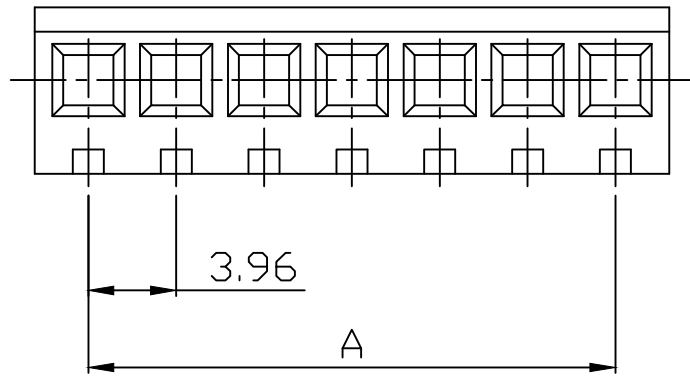


PART NO. 3961xxHA051  
 DWG NO. C3961HA



Dimensional & Ordering Information:

Part No.	Circuits	Dim A	Dim B
396102HA051	2	3.96	8.70
396103HA051	3	7.92	12.66
396104HA051	4	11.88	16.62
396105HA051	5	15.84	20.58
396106HA051	6	19.80	24.54
396107HA051	7	23.76	28.50
396108HA051	8	27.72	32.46
396109HA051	9	31.68	36.42
396110HA051	10	35.64	40.38
396111HA051	11	39.60	44.34
396112HA051	12	43.56	48.30
396113HA051	13	47.52	52.26
396114HA051	14	51.48	56.22
396115HA051	15	55.44	60.18
396116HA051	16	59.40	64.14
396117HA051	17	63.36	68.10
396118HA051	18	67.32	72.06
396119HA051	19	71.28	76.02
396120HA051	20	75.24	79.98

NOTE:

1. Housing Material: Nylon 66 UL94V2
2. Insulation resistance: 1000M ohm/min.
3. Withstand voltage: 1000V AC/minute.
4. Current rating: 5A AC/DC.
5. Voltage rating: 250V AC/DC

REV.	REVISION	DIS	DATE

SCALE: 2/1 A 1 UNIT: mm THIRD ANGLE PROJECTION

UNLESS OTHERWISE SPECIFIED TOLERANCES  
 3 PLACE ±0.5 ±0.10  
 2 PLACE ±1.5 ±0.25  
 1 PLACE ±2.0 ±0.50  
 ANGLE DIM

**EXCON**  
 EXCON TECHNOLOGY COMPANY

SCALE	REV.	PAGE:	UNIT	mm	DWG NO:	PART.NO
2/1	A	1	THIRD ANGLE PROJECTION	⊕	C3961HA	3961xxHA051