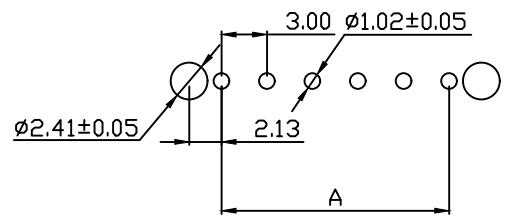
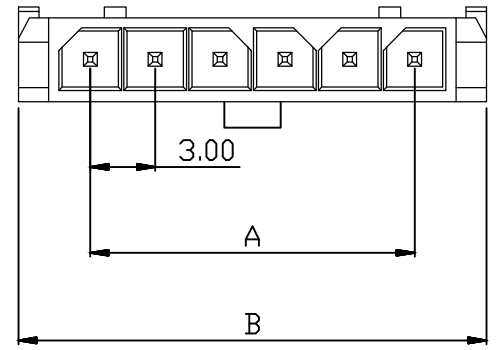
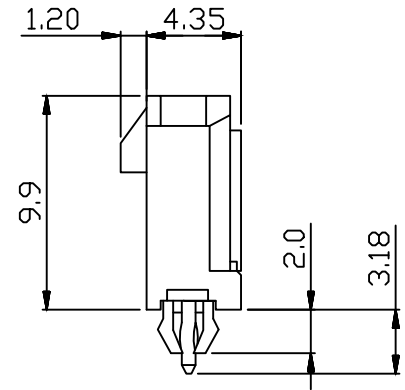
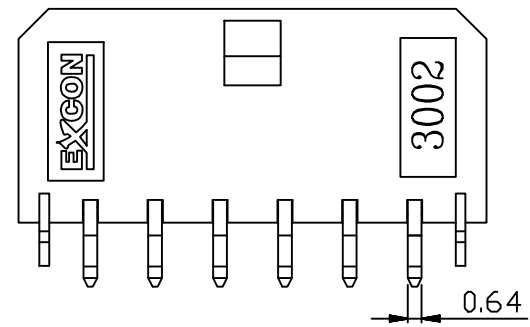
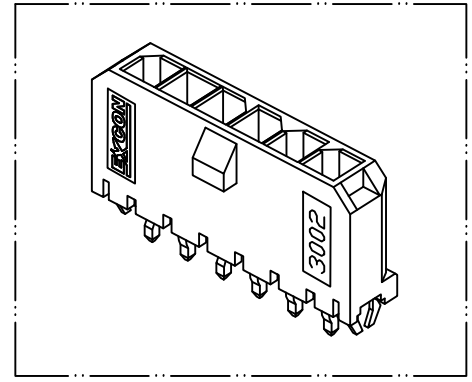


PART NO. 3002xxWS003
 DWG NO. C3002WS



RECOMMENDED PCB LAYOUT
 (PCB T=1.0~1.6mm)
 (PCB T=.039~.063in)



Dimensional & Ordering Information:

Part No.		Circuits	Dim A	Dim B
NY 6T	NY 66			
300202WS103	300202WS003	2	3.0	9.0
300203WS103	300203WS003	3	6.0	12.0
300204WS103	300204WS003	4	9.0	15.0
300205WS103	300205WS003	5	12.0	18.0
300206WS103	300206WS003	6	15.0	21.0
300207WS103	300207WS003	7	18.0	24.0
300208WS103	300208WS003	8	21.0	27.0
300209WS103	300209WS003	9	24.0	30.0
300210WS103	300210WS003	10	27.0	33.0
300211WS103	300211WS003	11	30.0	36.0
300212WS103	300212WS003	12	33.0	39.0

NOTE:

1. Wafer Material: NY66 UL 94V0
Pin/Pos Material: Brass bronze.
2. Plated: Tin-plated 50u"min.
3. Current rating: 5A AC/DC.
4. Voltage rating: 250V AC/DC
5. Insulation resistance: 1000MΩ min.
6. Withstand voltage: 1500V AC/minute.
7. Color : Black

REV.	REVISIONI			DIS	DATE
SCALE	REV.	PAGE:	UNIT	mm	
2/1	A	1/1	THIRD ANGLE	PROJECTION	

UNLESS OTHERWISE SPECIFIED TOLERANCES
 3 PLACE ±0.5 ±0.10
 2 PLACE ±1.5 ±0.25
 1 PLACE ±2.0 ±0.50
 ANGLE DIM



SCALE	REV.	PAGE:	UNIT	mm	DWG NO:	PART.NO
2/1	A	1/1	THIRD ANGLE	PROJECTION	C3002WS	3002xxWS003