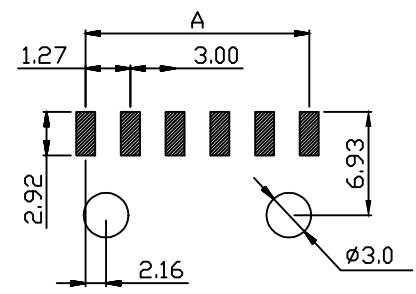
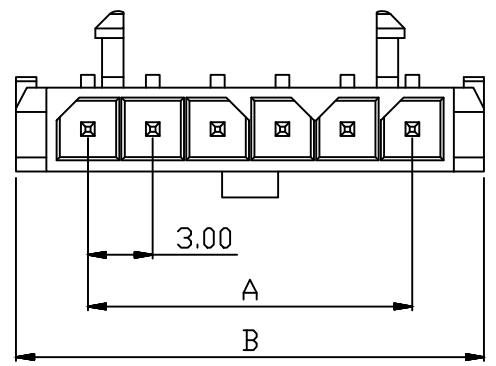
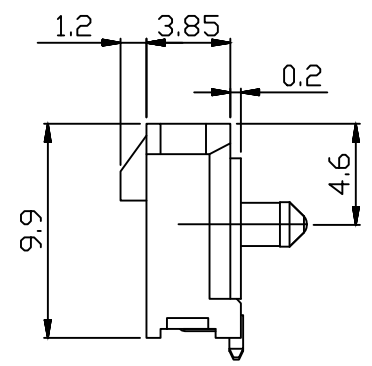
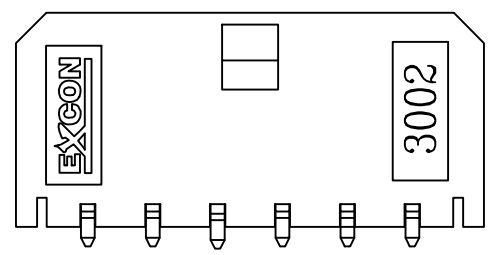
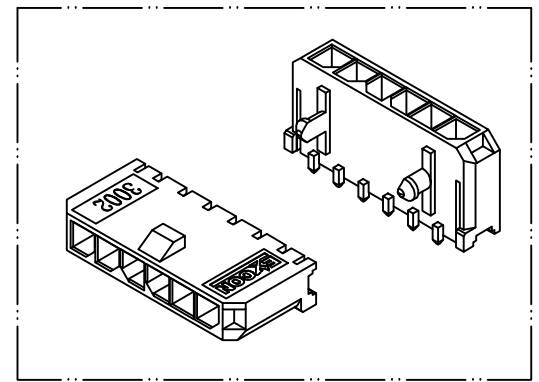


PART NO. 3002xxWH003
 DWG NO. C3002WH



RECOMMENDED PCB LAYOUT
 (PCB T=1.0~1.6mm)
 (PCB T=.039~.063in)



Dimensional & Ordering Information:

Part No.		Circuits	Dim A	Dim B
LCP UL94V0	NY66 UL94V0			
300202WH103	300202WH003	2	3.0	9.65
300203WH103	300203WH003	3	6.0	12.65
300204WH103	300204WH003	4	9.0	15.65
300205WH103	300205WH003	5	12.0	18.65
300206WH103	300206WH003	6	15.0	21.65
300207WH103	300207WH003	7	18.0	24.65
300208WH103	300208WH003	8	21.0	27.65
300209WH103	300209WH003	9	24.0	30.65
300210WH103	300210WH003	10	27.0	33.65
300211WH103	300211WH003	11	30.0	36.65
300212WH103	300212WH003	12	33.0	39.65

NOTE:

1. Wafer Material: See table
Pin/Pos Material: Brass bronze
2. Plated: Tin-plated 50u"min.
3. Current rating: 5A AC/DC.
4. Voltage rating: 250V AC/DC
5. Insulation resistance: 1000MΩ min.
6. Withstand voltage: 1500V AC/minute.
7. Color : Black

REV.	REVISIONI		DIS	DATE
SCALE	REV.	PAGE:	UNIT mm	
2/1	A	1/1	THIRD ANGLE PROJECTION	

UNLESS OTHERWISE SPECIFIED TOLERANCES
 3 PLACE ±0.5 ±0.10
 2 PLACE ±1.5 ±0.25
 1 PLACE ±2.0 ±0.50
 ANGLE DIM



SCALE	REV.	PAGE:	UNIT	mm	DWG NO:	PART.NO
2/1	A	1/1	THIRD ANGLE PROJECTION		C3002WH	3002xxWH003