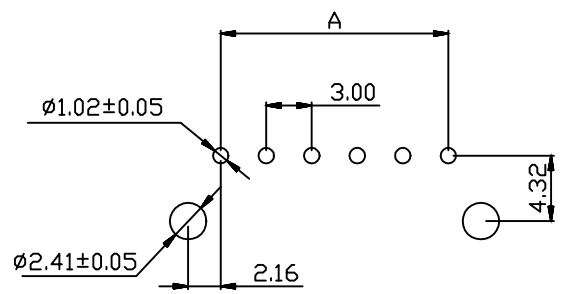
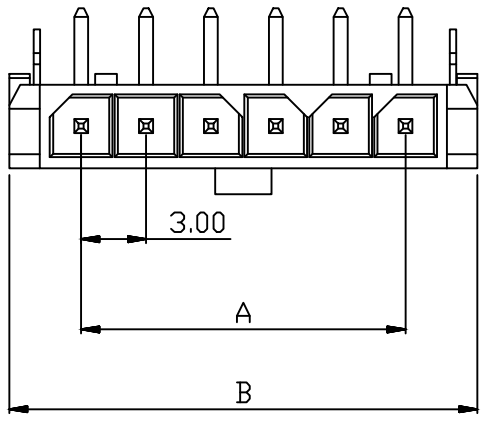
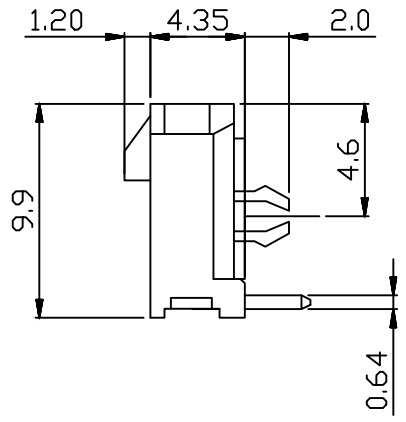
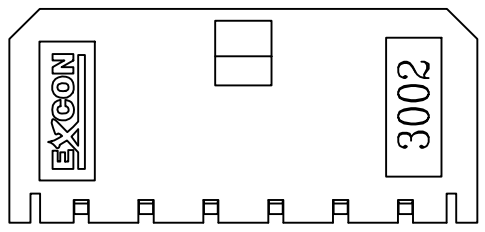
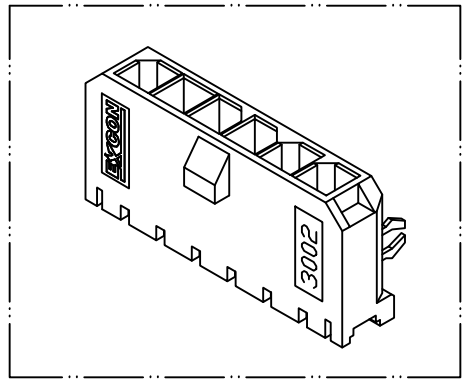


PART NO. 3002xxWF003
 DWG NO. C3002WF



RECOMMENDED PCB LAYOUT
 (PCB T=1.0~1.6mm)
 (PCB T=.039~.063in)



Dimensional & Ordering Information:

Part No.		Circuits	Dim A	Dim B
LCP UL94V0	NY66 UL94V0			
300202WF103	300202WF003	2	3.0	9.65
300203WF103	300203WF003	3	6.0	12.65
300204WF103	300204WF003	4	9.0	15.65
300205WF103	300205WF003	5	12.0	18.65
300206WF103	300206WF003	6	15.0	21.65
300207WF103	300207WF003	7	18.0	24.65
300208WF103	300208WF003	8	21.0	27.65
300209WF103	300209WF003	9	24.0	30.65
300210WF103	300210WF003	10	27.0	33.65
300211WF103	300211WF003	11	30.0	36.65
300212WF103	300212WF003	12	33.0	39.65

NOTE:

1. Wafer Material: See table
Pin/Pos Material: Brass bronze
2. Plated: Tin-plated 50u"min.
3. Current rating: 5A AC/DC.
4. Voltage rating: 250V AC/DC
5. Insulation resistance: 1000MΩ min.
6. Withstand voltage: 1500V AC/minute.
7. Color : Black

A		DWG RELEASE		Christy	11/10 2016	UNLESS OTHERWISE SPECIFIED TOLERANCES 3 PLACE ±0.5 ±0.10 2 PLACE ±1.5 ±0.25 1 PLACE ±2.0 ±0.50 ANGLE DIM	 EXCON TECHNOLOGY COMPANY
REV.	REVISIONI			DIS	DATE		
SCALE	REV.	PAGE:	UNIT	mm		DWG NO:	PART.NO
2/1	A	1/1	THIRD ANGLE PROJECTION			C3002WF	3002xxWF003