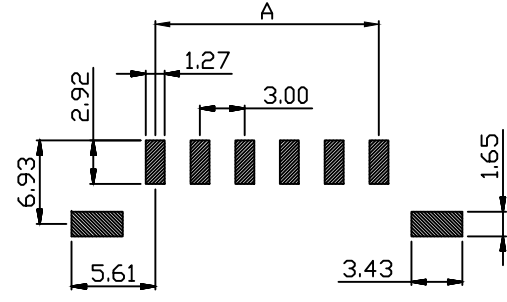
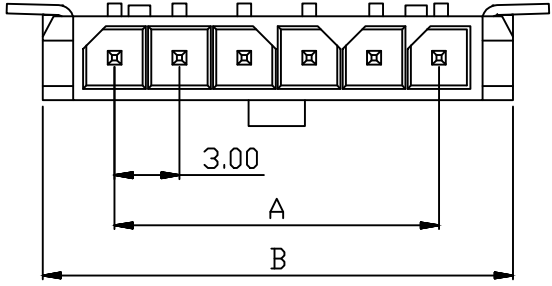
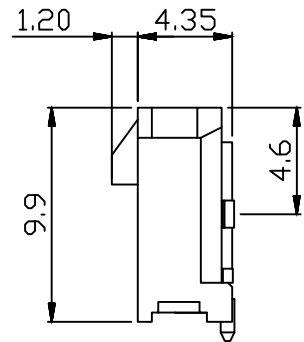
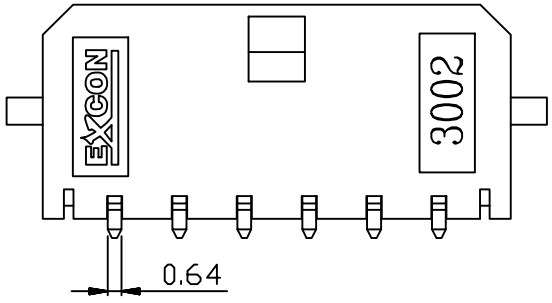
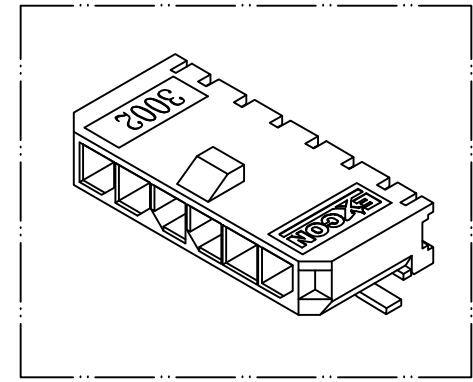


PART NO. 3002xxWE003
 DWG NO. C3002WE



RECOMMENDED PCB LAYOUT
 (PCB T=1.0~1.6mm)
 (PCB T=.039~.063in)



Dimensional & Ordering Information:

Part No.		Circuits	Dim A	Dim B
LCP UL94V0	NY66 UL94V0			
300202WE103	300202WE003	2	3.0	9.65
300203WE103	300203WE003	3	6.0	12.65
300204WE103	300204WE003	4	9.0	15.65
300205WE103	300205WE003	5	12.0	18.65
300206WE103	300206WE003	6	15.0	21.65
300207WE103	300207WE003	7	18.0	24.65
300208WE103	300208WE003	8	21.0	27.65
300209WE103	300209WE003	9	24.0	30.65
300210WE103	300210WE003	10	27.0	33.65
300211WE103	300211WE003	11	30.0	36.65
300212WE103	300212WE003	12	33.0	39.65

NOTE:

1. Wafer Material: See table
Pin/Pos Material: Brass bronze
2. Plated: Tin-plated 50u"min.
3. Current rating: 5A AC/DC.
4. Voltage rating: 250V AC/DC
5. Insulation resistance: 1000MΩ min.
6. Withstand voltage: 1500V AC/minute.
7. Color : Black

REV.	REVISIONI			DIS	DATE
SCALE	REV.	PAGE:	UNIT	mm	
2/1	A	1/1	THIRD ANGLE	PROJECTION	

UNLESS OTHERWISE SPECIFIED TOLERANCES
 3 PLACE ±0.5 ±0.10
 2 PLACE ±1.5 ±0.25
 1 PLACE ±2.0 ±0.50
 ANGLE DIM



SCALE	REV.	PAGE:	UNIT	mm		DWG NO:	PART.NO
2/1	A	1/1	THIRD ANGLE	PROJECTION		C3002WE	3002xxWE003