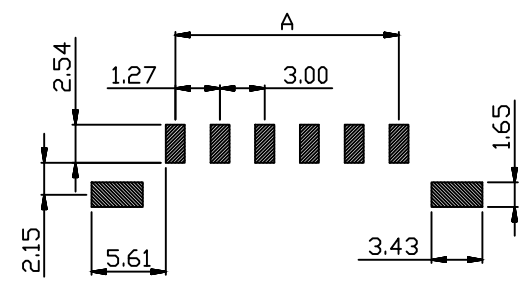
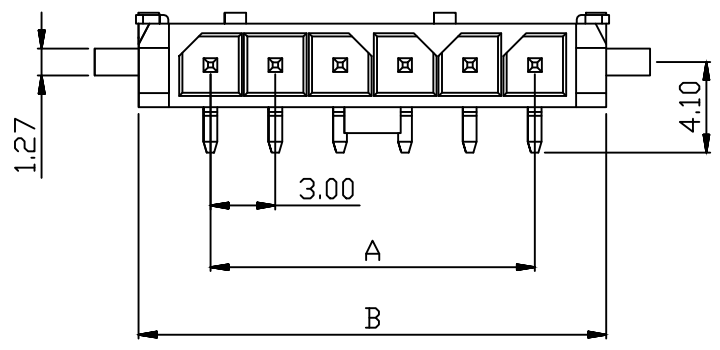
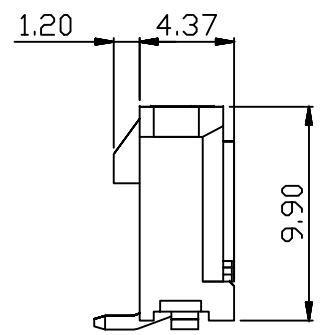
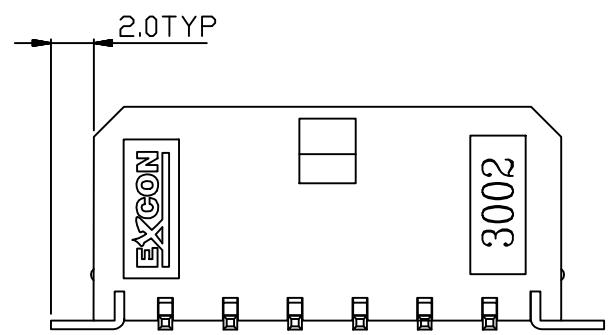
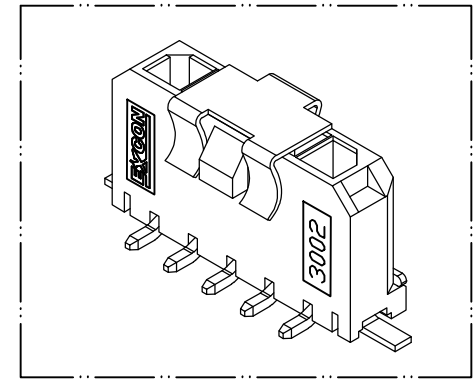


PART NO.  
3002xxWD003  
DWG NO.  
C3002WD



**RECOMMENDED PCB LAYOUT**  
(PCB T=1.0~1.6mm)  
(PCB T=.039~.063in)



**Dimensional & Ordering Information:**

Part No.		Circuits	Dim A	Dim B
LCP UL94V0	NY66 UL94V0			
300202WD103	300202WD003	2	3.0	9.65
300203WD103	300203WD003	3	6.0	12.65
300204WD103	300204WD003	4	9.0	15.65
300205WD103	300205WD003	5	12.0	18.65
300206WD103	300206WD003	6	15.0	21.65
300207WD103	300207WD003	7	18.0	24.65
300208WD103	300208WD003	8	21.0	27.65
300209WD103	300209WD003	9	24.0	30.65
300210WD103	300210WD003	10	27.0	33.65
300211WD103	300211WD003	11	30.0	36.65
300212WD103	300212WD003	12	33.0	39.65

**NOTE:**

1. Wafer Material: See table  
Pin/Pos Material: Brass bronze
2. Plated: Tin-plated 50u"min.
3. Current rating: 5A AC/DC.
4. Voltage rating: 250V AC/DC
5. Insulation resistance: 1000MΩ min.
6. Withstand voltage: 1500V AC/minute.
7. Color : Black

REV.	REVISIONI			DIS	DATE
SCALE	REV.	PAGE:	UNIT	mm	
2/1	A	1/1	THIRD ANGLE	PROJECTION	

UNLESS OTHERWISE SPECIFIED TOLERANCES  
3 PLACE ±0.5 ±0.10  
2 PLACE ±1.5 ±0.25  
1 PLACE ±2.0 ±0.50  
ANGLE DIM



SCALE	REV.	PAGE:	UNIT	mm		DWG NO:	PART.NO
2/1	A	1/1	THIRD ANGLE	PROJECTION		C3002WD	3002xxWD003