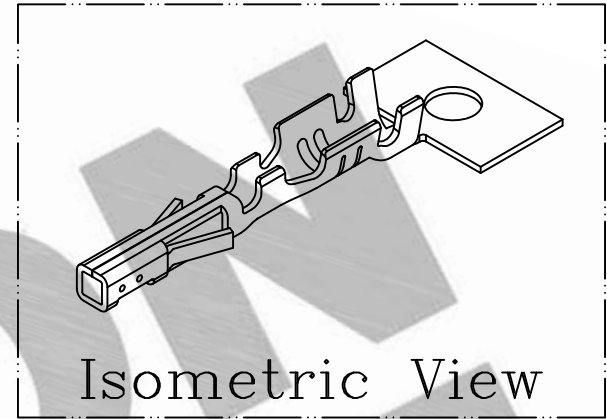
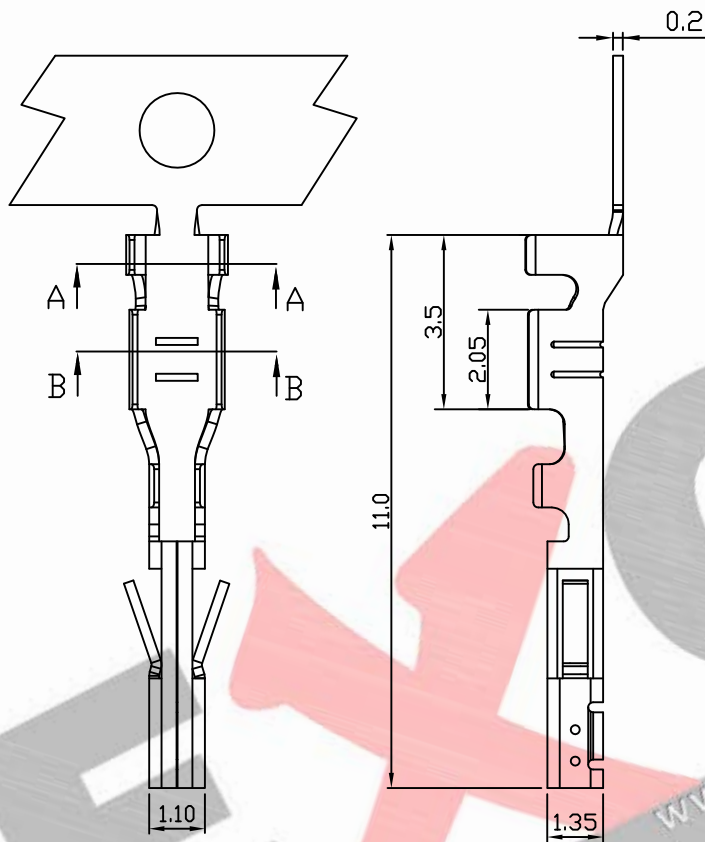


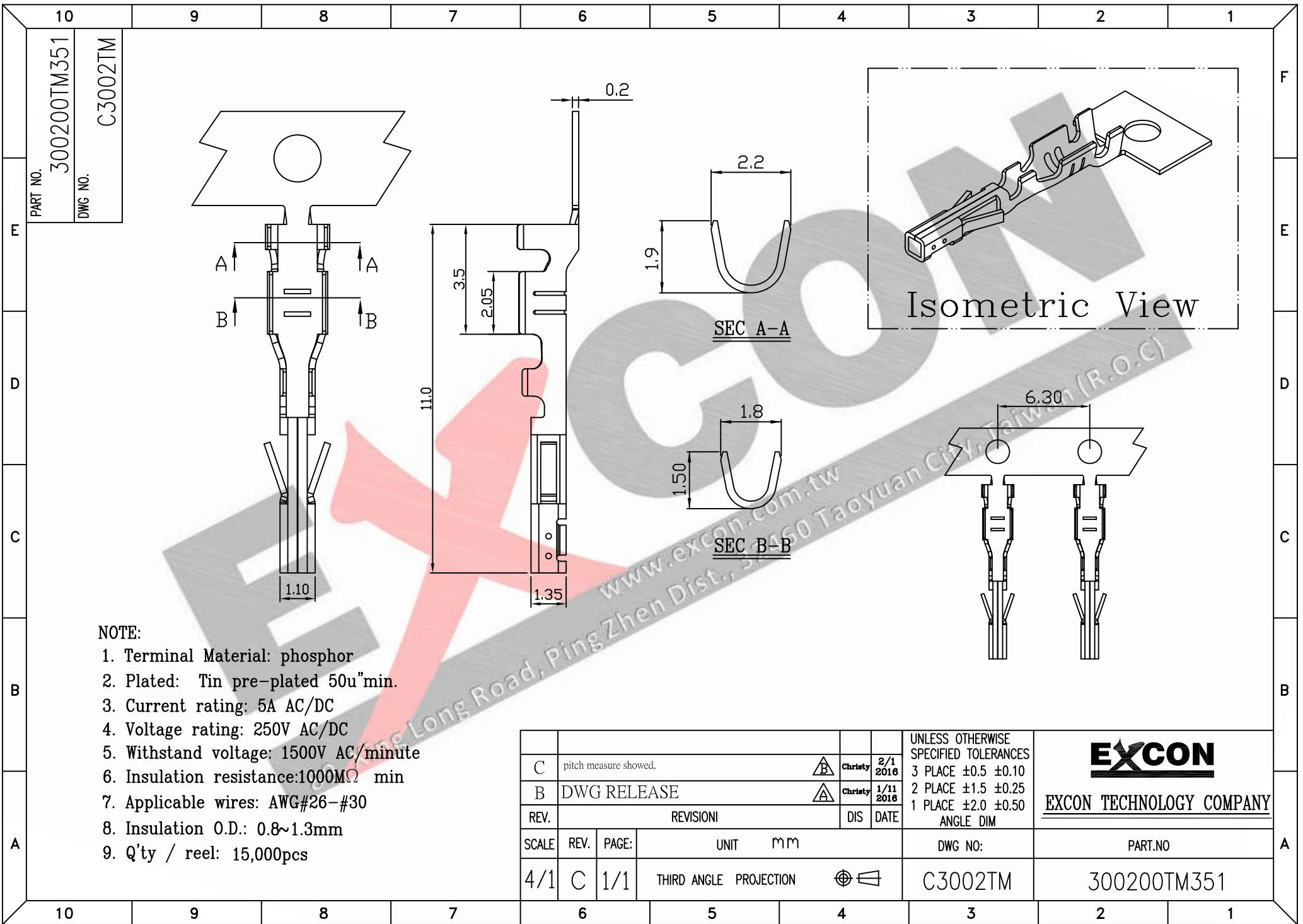
PART NO. 300200TM051
 DWG NO. C3002TM



NOTE:

1. Terminal Material: Brass
2. Plated: Tin pre-plated 50u"min.
3. Current rating: 5A AC/DC
4. Voltage rating: 250V AC/DC
5. Withstand voltage: 1500V AC/minute
6. Insulation resistance: 1000MΩ min
7. Applicable wires: AWG#26-#30
8. Insulation O.D.: 0.8~1.3mm
9. Q'ty / reel: 15,000pcs

			UNLESS OTHERWISE SPECIFIED TOLERANCES		 EXCON TECHNOLOGY COMPANY
A DWG RELEASE			3 PLACE ±0.5 ±0.10	2 PLACE ±1.5 ±0.25	
REV.	REVISION		1 PLACE ±2.0 ±0.50	ANGLE DIM	
SCALE	REV.	PAGE:	UNIT	mm	DWG NO:
4/1	A	1/1	THIRD ANGLE PROJECTION		C3002TM
			DATE	2/1 2016	PART.NO
			DIS	Christy	300200TM051



PART NO. 300200TM351
 DWG NO. C3002TM

- NOTE:
1. Terminal Material: phosphor
 2. Plated: Tin pre-plated 50u"min.
 3. Current rating: 5A AC/DC
 4. Voltage rating: 250V AC/DC
 5. Withstand voltage: 1500V AC/minute
 6. Insulation resistance: 1000MΩ min
 7. Applicable wires: AWG#26-#30
 8. Insulation O.D.: 0.8~1.3mm
 9. Q'ty / reel: 15,000pcs

REV.	REVISION		DIS	DATE	UNLESS OTHERWISE SPECIFIED TOLERANCES 3 PLACE ±0.5 ±0.10 2 PLACE ±1.5 ±0.25 1 PLACE ±2.0 ±0.50 ANGLE DIM	 EXCON TECHNOLOGY COMPANY
C	pitch measure showed.		△	Christy 2/1 2016		
B	DWG RELEASE		△	Christy 1/11 2016		
SCALE	REV.	PAGE:	UNIT mm		DWG NO:	PART.NO
4/1	C	1/1	THIRD ANGLE PROJECTION		C3002TM	300200TM351