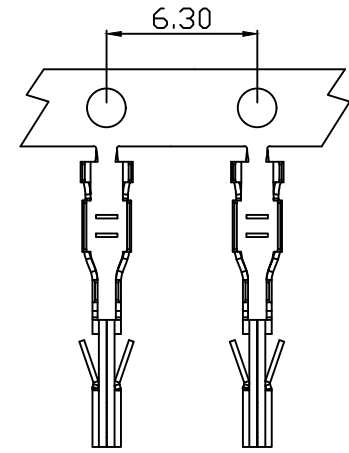
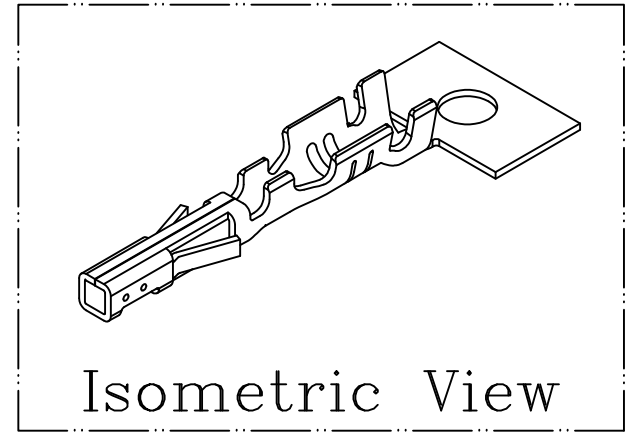
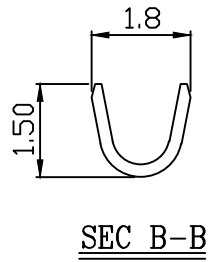
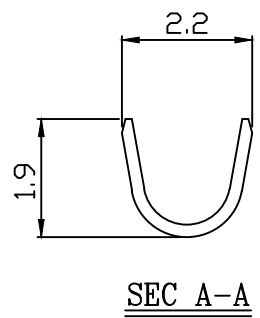
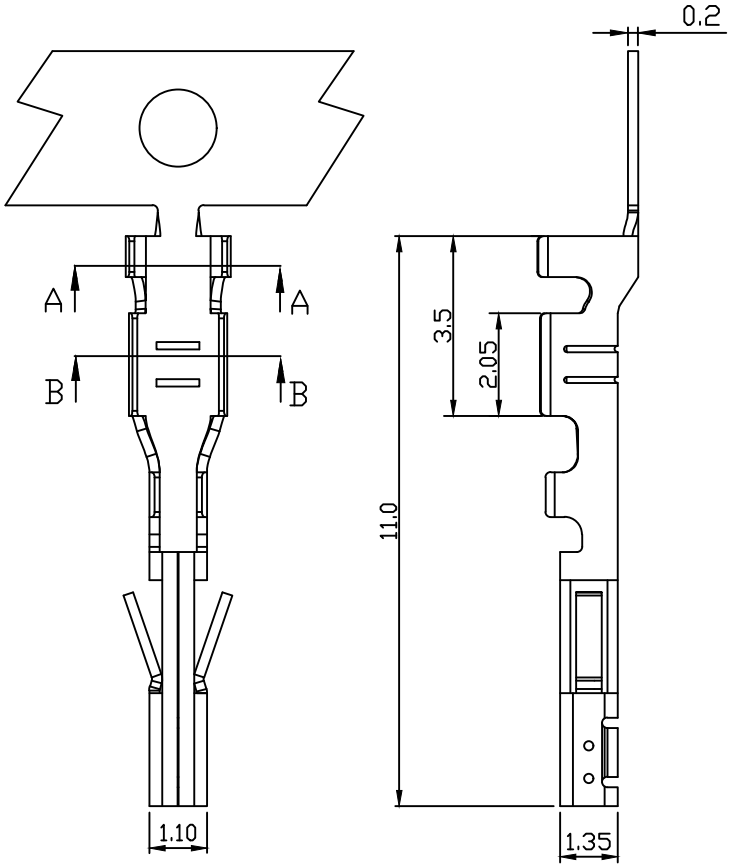


10 9 8 7 6 5 4 3 2 1

PART NO. 300200TM351  
 DWG NO. C3002TM



NOTE:

1. Terminal Material: phosphor
2. Plated: Tin pre-plated 50u"min.
3. Current rating: 5A AC/DC
4. Voltage rating: 250V AC/DC
5. Withstand voltage: 1500V AC/minute
6. Insulation resistance: 1000MΩ min
7. Applicable wires: AWG#26-#30
8. Insulation O.D.: 0.8~1.3mm
9. Q'ty / reel: 15,000pcs

C		pitch measure showed.		△	Christy	2/1 2016	UNLESS OTHERWISE SPECIFIED TOLERANCES 3 PLACE ±0.5 ±0.10 2 PLACE ±1.5 ±0.25 1 PLACE ±2.0 ±0.50 ANGLE DIM	<b>EXCON</b> EXCON TECHNOLOGY COMPANY
B		DWG RELEASE		△	Christy	1/11 2016		
REV.	REVISIONI			DIS	DATE			
SCALE	REV.	PAGE:	UNIT	mm	DWG NO:		PART.NO	
4/1	C	1/1	THIRD ANGLE PROJECTION	⊕	C3002TM		300200TM351	

10 9 8 7 6 5 4 3 2 1

E  
D  
C  
B  
A

F  
E  
D  
C  
B  
A