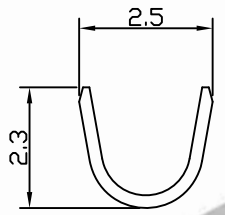
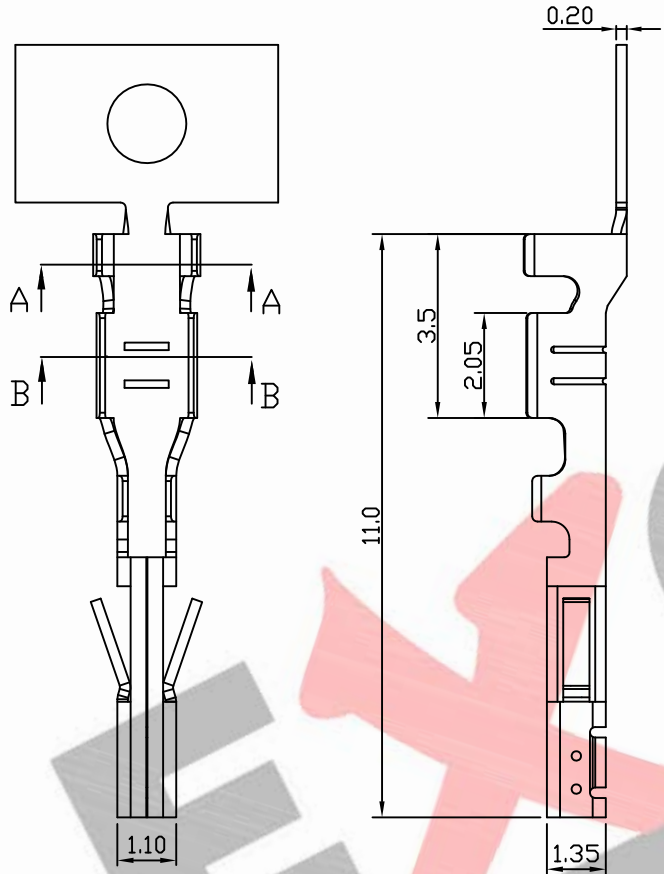
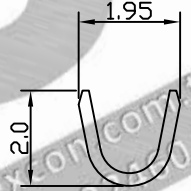


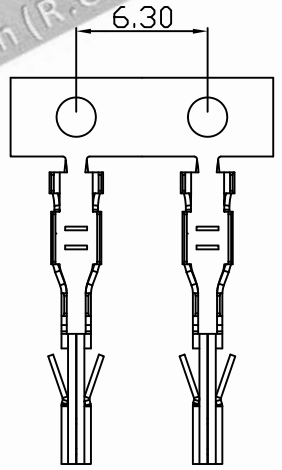
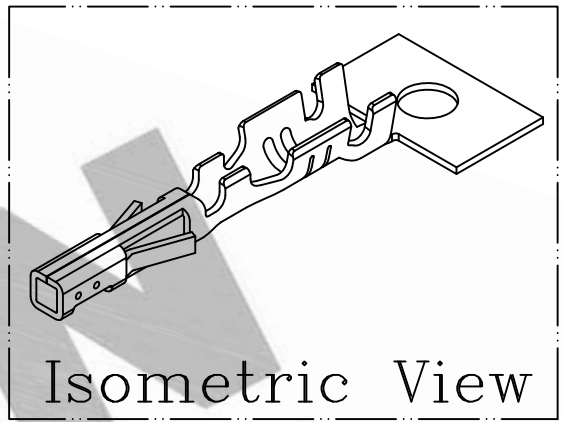
PART NO. 300200TB051
 DWG NO. C3002TB



SEC A-A



SEC B-B

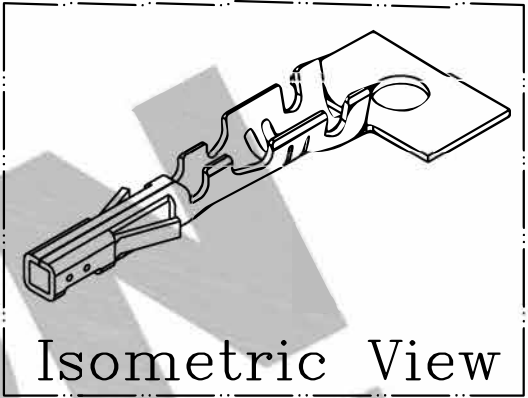
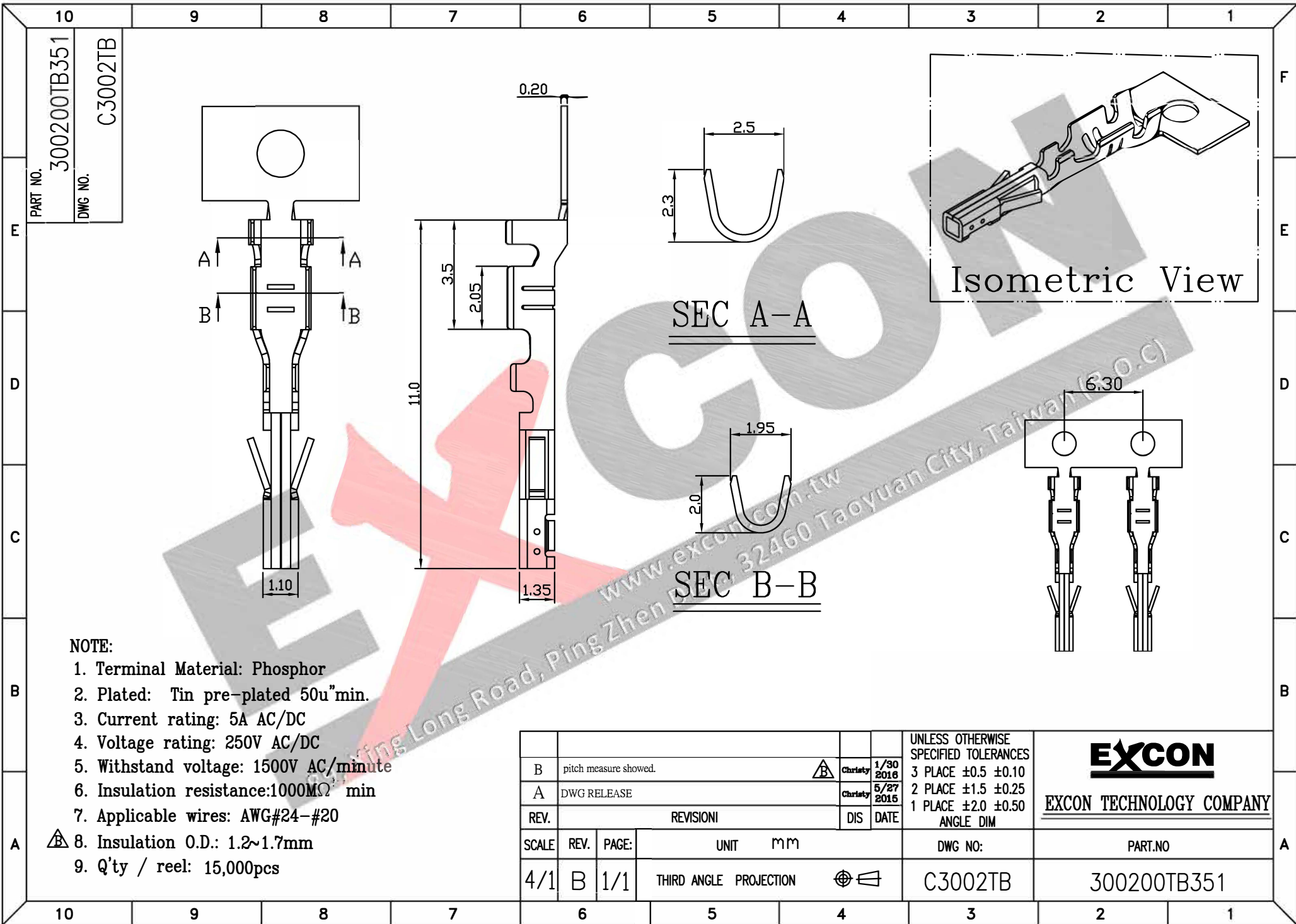


- NOTE:
1. Terminal Material: Brass
 2. Plated: Tin pre-plated 50u"min.
 3. Current rating: 5A AC/DC
 4. Voltage rating: 250V AC/DC
 5. Withstand voltage: 1500V AC/minute
 6. Insulation resistance: 1000MΩ min
 7. Applicable wires: AWG#24-#20
 8. Insulation O.D.: 1.2~1.7mm
 9. Q'ty / reel: 15,000pcs

UNLESS OTHERWISE SPECIFIED TOLERANCES			
3 PLACE	±0.5	±0.10	
2 PLACE	±1.5	±0.25	
1 PLACE	±2.0	±0.50	
		ANGLE DIM	
SCALE	REV.	PAGE:	UNIT
4/1	B	1/1	MM
REV.		REVISIONI	
A		DWG RELEASE	
B		pitch measure showed.	
DIS		DATE	
Christy		1/30 2016	
Christy		5/27 2015	
THIRD ANGLE		PROJECTION	

EXCON
 EXCON TECHNOLOGY COMPANY

DWG NO: C3002TB
 PART.NO: 300200TB051



SEC A-A

SEC B-B

NOTE:

1. Terminal Material: Phosphor
2. Plated: Tin pre-plated 50u"min.
3. Current rating: 5A AC/DC
4. Voltage rating: 250V AC/DC
5. Withstand voltage: 1500V AC/minute
6. Insulation resistance: 1000MΩ min
7. Applicable wires: AWG#24-#20
8. Insulation O.D.: 1.2~1.7mm
9. Q'ty / reel: 15,000pcs

B		pitch measure showed.		Charlty 1/30 2016		UNLESS OTHERWISE SPECIFIED TOLERANCES 3 PLACE ±0.5 ±0.10 2 PLACE ±1.5 ±0.25 1 PLACE ±2.0 ±0.50 ANGLE DIM	 EXCON TECHNOLOGY COMPANY
A		DWG RELEASE		Charlty 5/27 2015			
REV.	REVISION			DIS	DATE		
SCALE	REV.	PAGE:	UNIT	mm		DWG NO:	PART.NO
4/1	B	1/1	THIRD ANGLE	PROJECTION		C3002TB	300200TB351

PART NO. 300200TB351
DWG NO. C3002TB