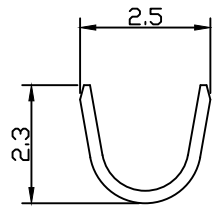
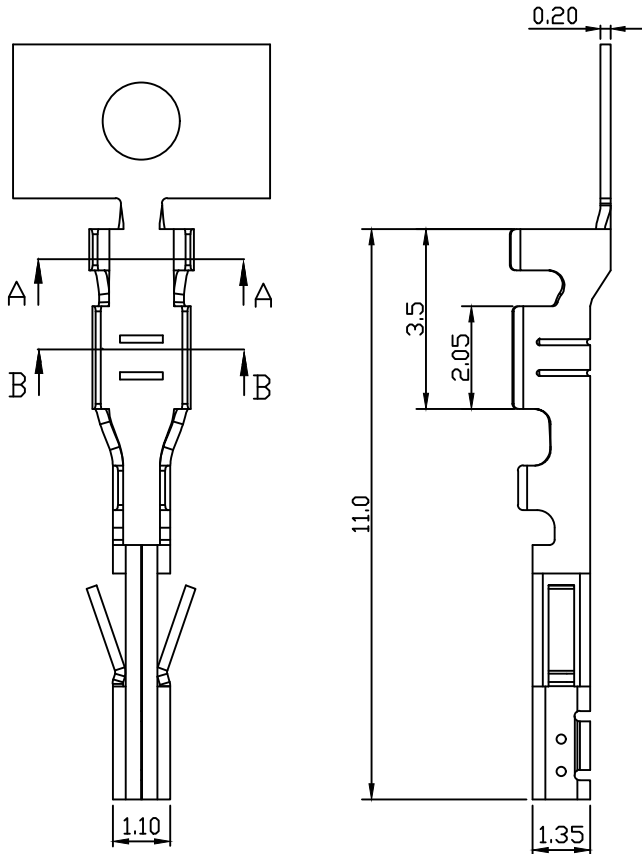
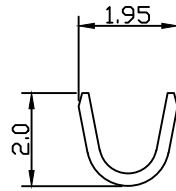


10 9 8 7 6 5 4 3 2 1

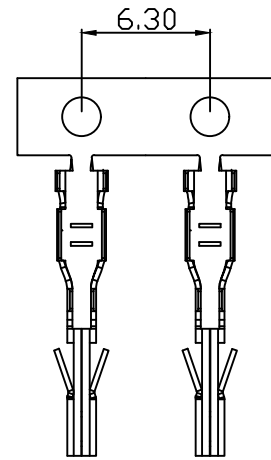
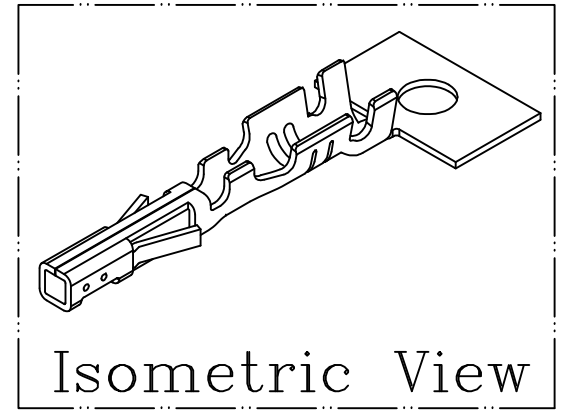
PART NO. 300200TB351
 DWG NO. C3002TB



SEC A-A



SEC B-B



NOTE:

1. Terminal Material: Phosphor
2. Plated: Tin pre-plated 50u"min.
3. Current rating: 5A AC/DC
4. Voltage rating: 250V AC/DC
5. Withstand voltage: 1500V AC/minute
6. Insulation resistance: 1000MΩ min
7. Applicable wires: AWG#24-#20
8. Insulation O.D.: 1.2~1.7mm
9. Q'ty / reel: 15,000pcs

				UNLESS OTHERWISE SPECIFIED TOLERANCES		EXCON EXCON TECHNOLOGY COMPANY	
B	pitch measure showed.			Christy	1/30 2016		3 PLACE ±0.5 ±0.10
A	DWG RELEASE			Christy	5/27 2015		2 PLACE ±1.5 ±0.25
REV.	REVISIONI			DIS	DATE		1 PLACE ±2.0 ±0.50
SCALE	REV.	PAGE:	UNIT	mm		DWG NO:	PART.NO
4/1	B	1/1	THIRD ANGLE PROJECTION			C3002TB	300200TB351

10 9 8 7 6 5 4 3 2 1