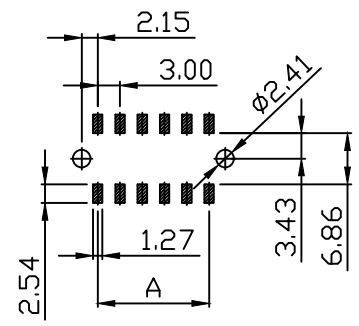
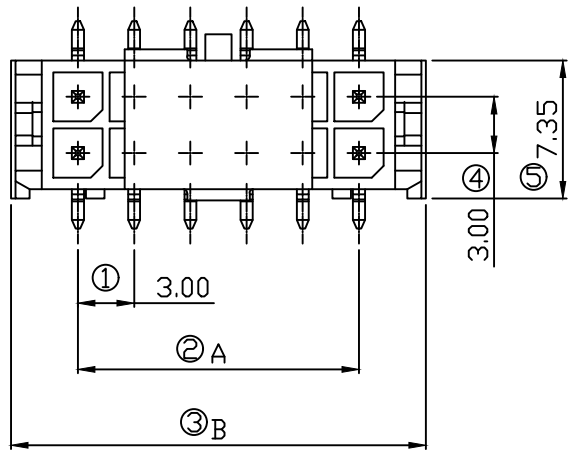
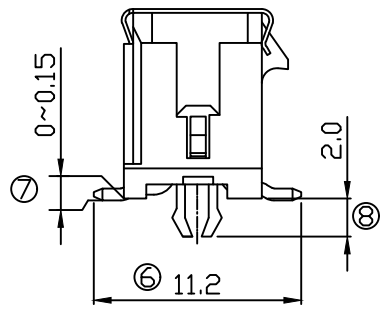
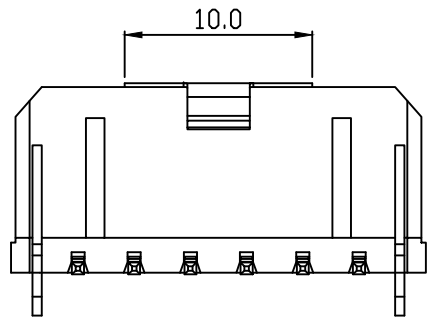
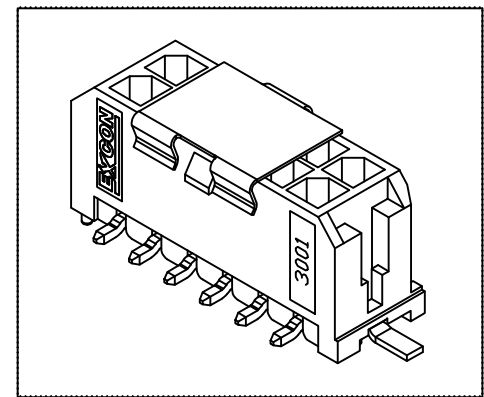


PART NO. 3001xxWM003  
 DWG NO. C3001WM



**RECOMMENDED PCB LAYOUT**  
 (PCB T=1.0~1.6mm)



**Dimensional & Ordering Information:**

Part No.	Circuits	Dim A	Dim B
300102WM103	2	--	6.65
300104WM103	4	3.0	9.65
300106WM103	6	6.0	12.65
300108WM103	8	9.0	15.65
300110WM103	10	12.0	18.65
300112WM103	12	15.0	21.65
300114WM103	14	18.0	24.65
300116WM103	16	21.0	27.65
300118WM103	18	24.0	30.65
300120WM103	20	27.0	33.65
300122WM103	22	30.0	36.65
300124WM103	24	33.0	39.65

**NOTE:**

1. Wafer Material: Polyester LCP UL94-V0  
Pin/Pos Material: brass bronze.
2. Plated: Tin-plated 50u"min.
3. Insulation resistance: 1000MΩ min.
4. Withstand voltage: 1500V AC/minute.
5. Current rating: 5A AC/DC.
6. Voltage rating: 250V AC/DC

UNLESS OTHERWISE SPECIFIED TOLERANCES  
 3 PLACE ±0.5 ±0.10  
 2 PLACE ±1.5 ±0.25  
 1 PLACE ±2.0 ±0.50  
 ANGLE DIM



REV.	REVISION		DIS	DATE
SCALE	REV.	PAGE:	UNIT	m m
NONE	B	1	THIRD ANGLE PROJECTION	

DWG NO: C3001WM

PART.NO 3001xxWM003