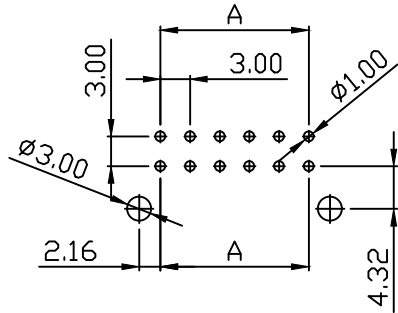
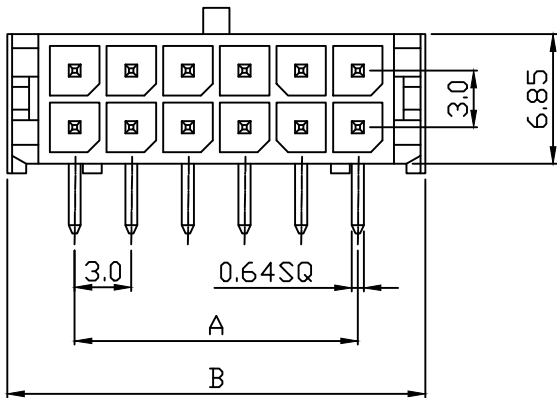
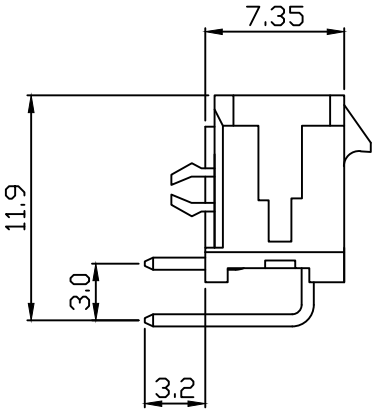
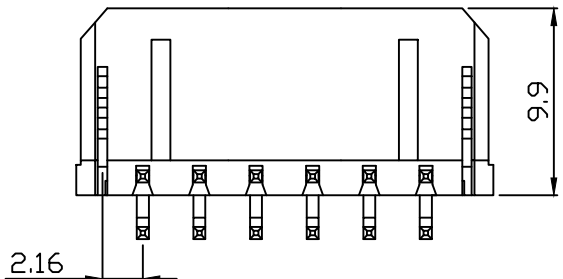
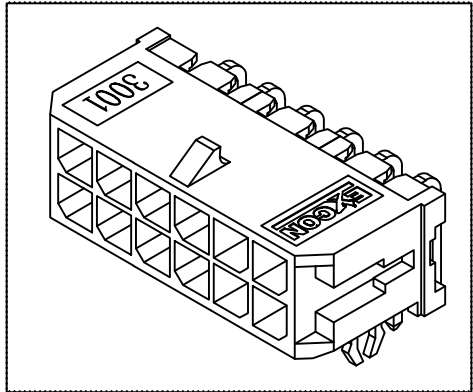


PART NO. 3001xxWF003
 DWG NO. C3001WF



RECOMMENDED PCB LAYOUT
 (PCB T=1.0~1.6mm)



Dimensional & Ordering Information:

Part No.		Circuits	Dim A	Dim B
LCP	NY 66	2	--	6.65
300102WF103	300102WF003	2	--	6.65
300104WF103	300104WF003	4	3.0	9.65
300106WF103	300106WF003	6	6.0	12.65
300108WF103	300108WF003	8	9.0	15.65
300110WF103	300110WF003	10	12.0	18.65
300112WF103	300112WF003	12	15.0	21.65
300114WF103	300114WF003	14	18.0	24.65
300116WF103	300116WF003	16	21.0	27.65
300118WF103	300118WF003	18	24.0	30.65
300120WF103	300120WF003	20	27.0	33.65
300122WF103	300122WF003	22	30.0	36.65
300124WF103	300124WF003	24	33.0	39.65

NOTE:

1. Wafer Material: Nylon 66 or LCP
Pin/Pos Material: brass bronze.
2. Plated: Tin-plated 50u"min.
3. Insulation resistance: 1000MΩ min.
4. Withstand voltage: 1500V AC/minute.
5. Current rating: 5A AC/DC.
6. Voltage rating: 250V AC/DC

UNLESS OTHERWISE SPECIFIED TOLERANCES
 3 PLACE ±0.5 ±0.10
 2 PLACE ±1.5 ±0.25
 1 PLACE ±2.0 ±0.50
 ANGLE DIM



REV.	REVISION		DIS	DATE
SCALE	REV.	PAGE:	UNIT	m m
NONE	B	1	THIRD ANGLE PROJECTION	

DWG NO: C3001WF

PART.NO: 3001xxWF003