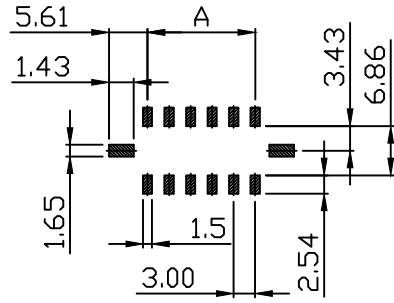
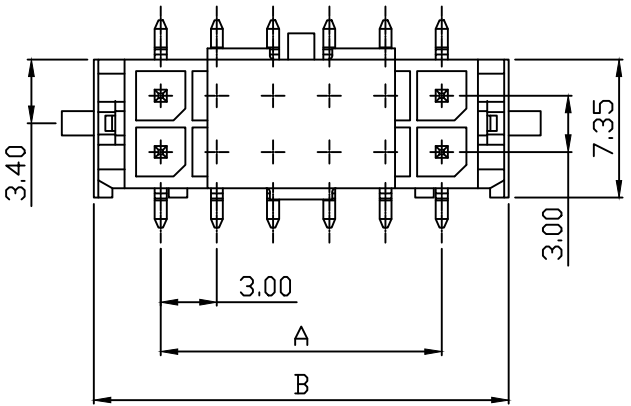
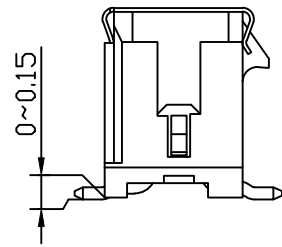
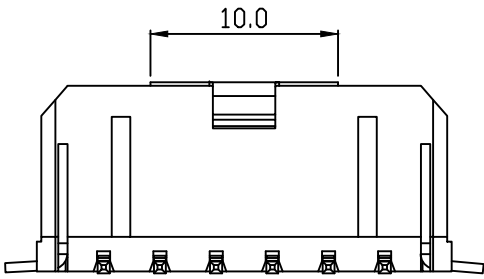
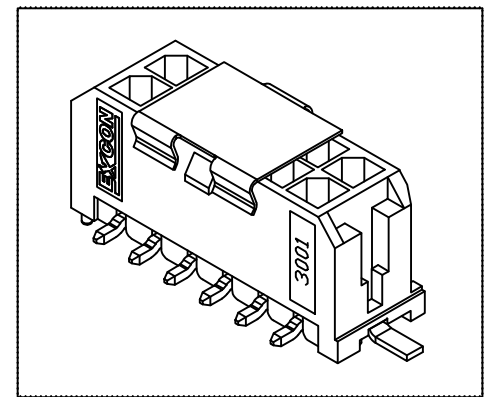


PART NO. 3001xxWD003
 DWG NO. C3001WD



RECOMMENDED PCB LAYOUT
 (PCB T=1.0~1.6mm)



Dimensional & Ordering Information:

Part No.	Circuits	Dim A	Dim B
300102WD103	2	--	6.65
300104WD103	4	3.0	9.65
300106WD103	6	6.0	12.65
300108WD103	8	9.0	15.65
300110WD103	10	12.0	18.65
300112WD103	12	15.0	21.65
300114WD103	14	18.0	24.65
300116WD103	16	21.0	27.65
300118WD103	18	24.0	30.65
300120WD103	20	27.0	33.65
300122WD103	22	30.0	36.65
300124WD103	24	33.0	39.65

NOTE:

1. Wafer Material: Polyester LCP UL94-V0
Pin/Pos Material: brass bronze.
2. Plated: Tin-plated 50u"min.
3. Insulation resistance: 1000MΩ min.
4. Withstand voltage: 1500V AC/minute.
5. Current rating: 5A AC/DC.
6. Voltage rating: 250V AC/DC

				UNLESS OTHERWISE SPECIFIED TOLERANCES		 EXCON TECHNOLOGY COMPANY
				3 PLACE ±0.5 ±0.10		
				2 PLACE ±1.5 ±0.25		
				1 PLACE ±2.0 ±0.50		
				ANGLE DIM		
REV.	REVISION			DIS	DATE	
SCALE	REV.	PAGE:	UNIT	mm		DWG NO:
NONE	B	1	THIRD ANGLE PROJECTION			C3001WD
					PART.NO	
					3001xxWD003	