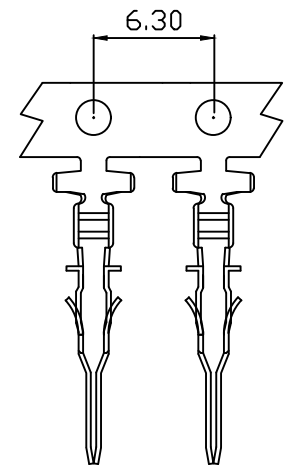
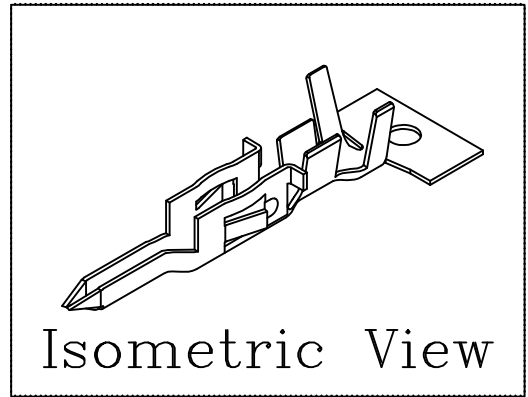
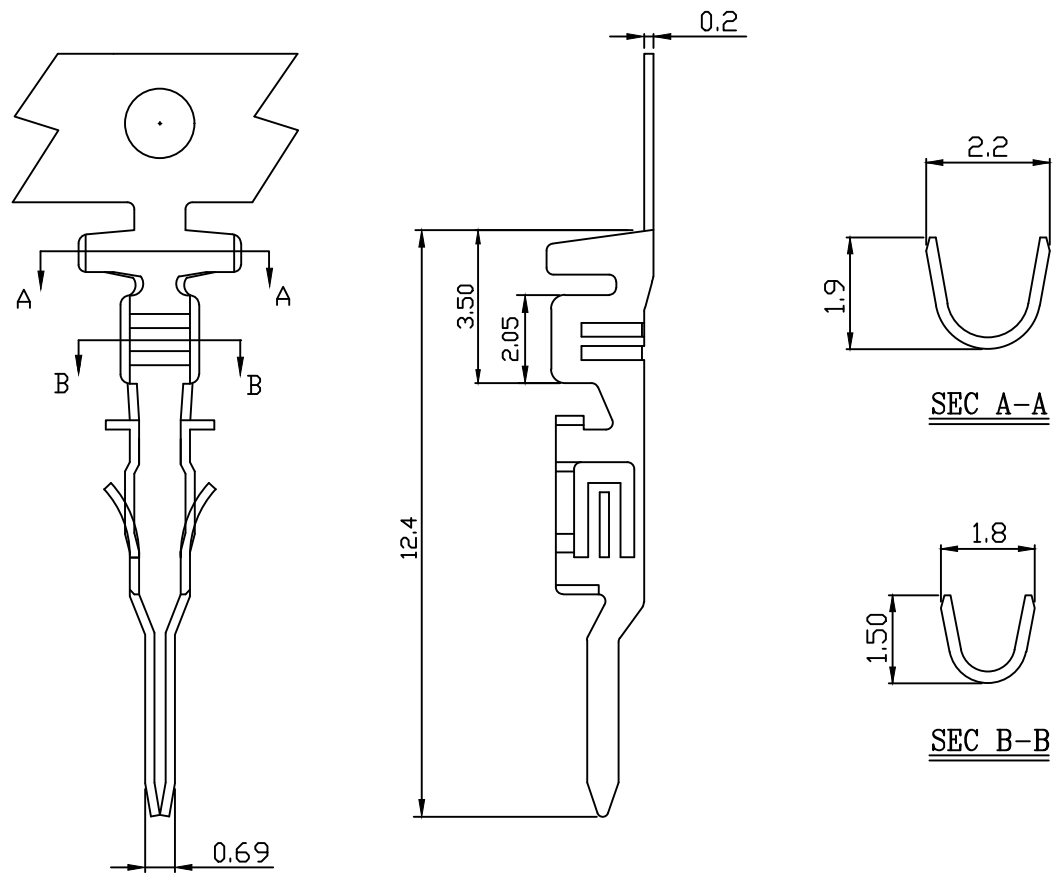


PART NO. 300100TP351
 DWG NO. C3001TP



- NOTE:
1. Terminal Material: phosphor
 2. Plated: Tin pre-plated 50u"min.
 3. Current rating: 5A AC/DC
 4. Voltage rating: 250V AC/DC
 5. Withstand voltage: 1500V AC/minute
 6. Insulation resistance: 1000MΩ min
 7. Applicable wires: AWG#26-#30
 8. Insulation O.D.: 0.8~1.3mm
 9. Q'ty / reel: 15,000pcs

				UNLESS OTHERWISE SPECIFIED TOLERANCES		 EXCON TECHNOLOGY COMPANY
B DWG RELEASE				Christy	1/11 2018	
REV.	REVISION			DIS	DATE	3 PLACE ±0.5 ±0.10
SCALE	REV.	PAGE:	UNIT	mm		2 PLACE ±1.5 ±0.25
4/1	B	1/1	THIRD ANGLE PROJECTION			1 PLACE ±2.0 ±0.50
				DWG NO:		ANGLE DIM
				C3001TP		PART.NO
						300100TP351