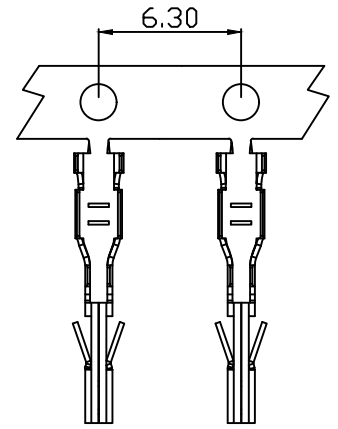
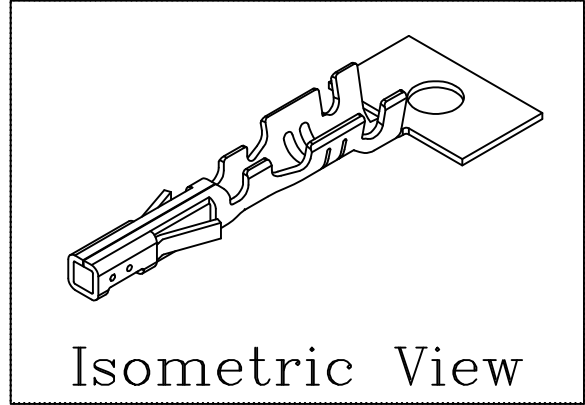
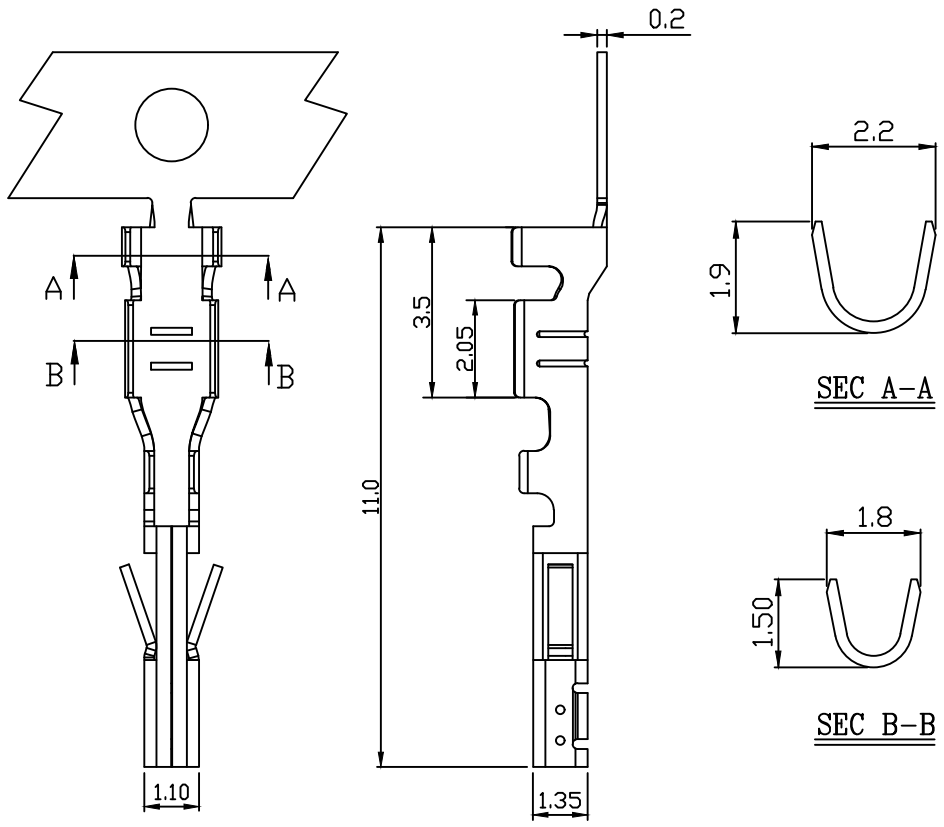


PART NO. 300100TM351  
 DWG NO. C3001TM



- NOTE:
1. Terminal Material: phosphor
  2. Plated: Tin pre-plated 50u"min.
  3. Current rating: 5A AC/DC
  4. Voltage rating: 250V AC/DC
  5. Withstand voltage: 1500V AC/minute
  6. Insulation resistance: 1000MΩ min
  7. Applicable wires: AWG#26-#30
  8. Insulation O.D.: 0.8~1.3mm
  9. Q'ty / reel: 15,000pcs

C		pitch measure showed.		△	Christy	2/1 2018	UNLESS OTHERWISE SPECIFIED TOLERANCES 3 PLACE ±0.5 ±0.10 2 PLACE ±1.5 ±0.25 1 PLACE ±2.0 ±0.50 ANGLE DIM	 <b>EXCON TECHNOLOGY COMPANY</b>
B		DWG RELEASE		△	Christy	1/11 2018		
REV.	REVISION			DIS	DATE			
SCALE	REV.	PAGE:	UNIT		mm		DWG NO:	PART.NO
4/1	C	1/1	THIRD ANGLE PROJECTION				C3001TM	300100TM351