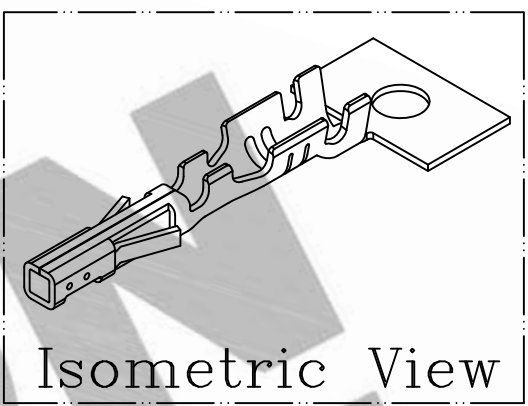
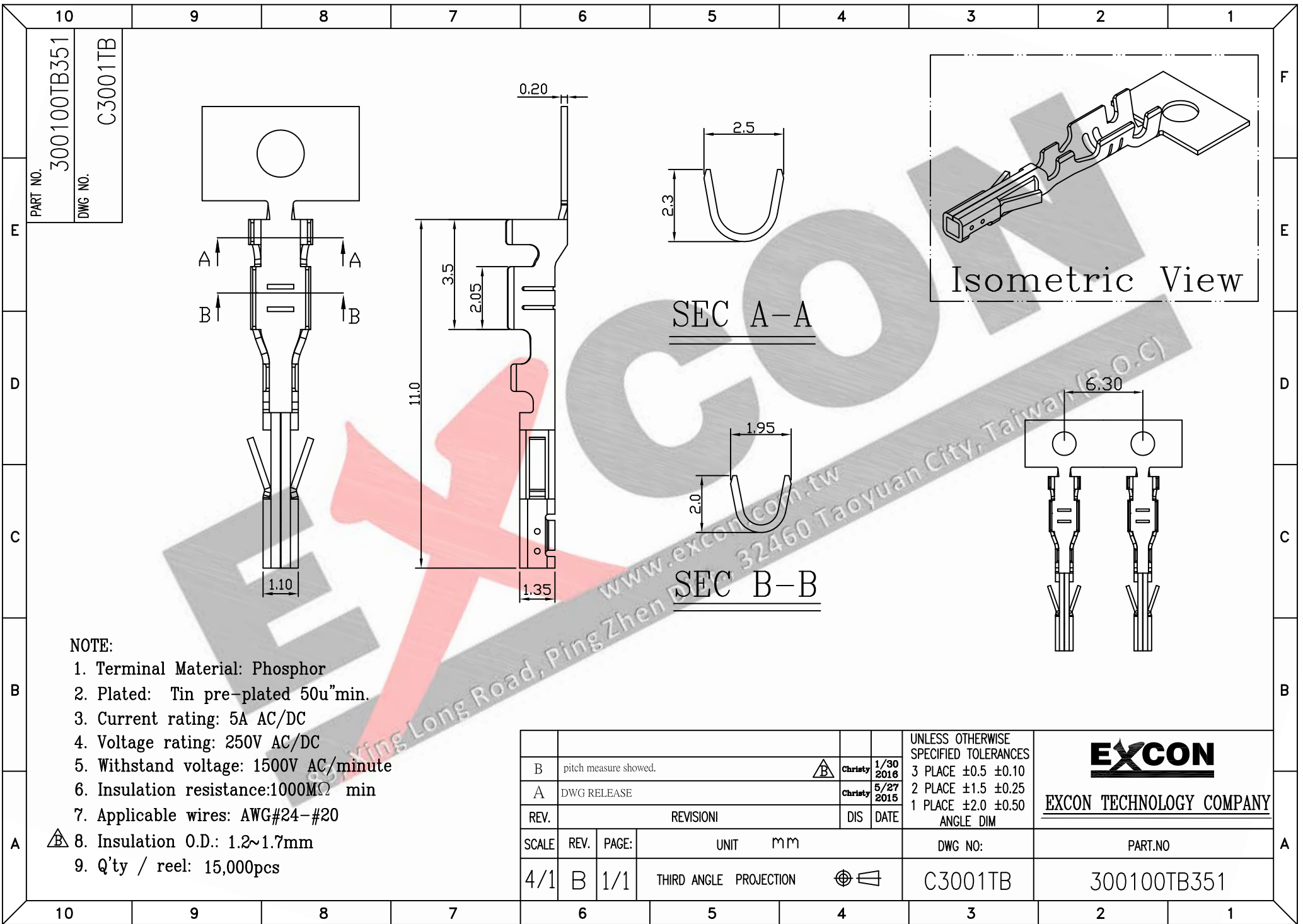


PART NO. 300100TB051
 DWG NO. C3001TB

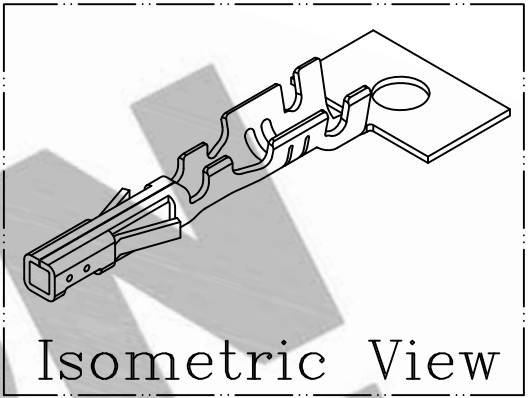


- NOTE:
1. Terminal Material: Brass
 2. Plated: Tin pre-plated 50u"min.
 3. Current rating: 5A AC/DC
 4. Voltage rating: 250V AC/DC
 5. Withstand voltage: 1500V AC/minute
 6. Insulation resistance: 1000MΩ min
 7. Applicable wires: AWG#24-#20
 8. Insulation O.D.: 1.2~1.7mm
 9. Q'ty / reel: 15,000pcs

B		pitch measure showed.		△	Christy	1/30 2016	UNLESS OTHERWISE SPECIFIED TOLERANCES 3 PLACE ±0.5 ±0.10 2 PLACE ±1.5 ±0.25 1 PLACE ±2.0 ±0.50 ANGLE DIM	 EXCON TECHNOLOGY COMPANY
A		DWG RELEASE			Christy	5/27 2015		
REV.	REVISION			DIS	DATE			
SCALE	REV.	PAGE:	UNIT mm		DWG NO:		PART.NO	A
4/1	B	1/1	THIRD ANGLE PROJECTION		C3001TB		300100TB051	



PART NO. 300100TB351
 DWG NO. C3001TB



SEC A-A

SEC B-B

NOTE:

1. Terminal Material: Phosphor
2. Plated: Tin pre-plated 50u"min.
3. Current rating: 5A AC/DC
4. Voltage rating: 250V AC/DC
5. Withstand voltage: 1500V AC/minute
6. Insulation resistance: 1000MΩ min
7. Applicable wires: AWG#24-#20
8. Insulation O.D.: 1.2~1.7mm
9. Q'ty / reel: 15,000pcs

B		pitch measure showed.		△ B		Christy 1/30/2016		UNLESS OTHERWISE SPECIFIED TOLERANCES 3 PLACE ±0.5 ±0.10 2 PLACE ±1.5 ±0.25 1 PLACE ±2.0 ±0.50 ANGLE DIM	 EXCON TECHNOLOGY COMPANY
A		DWG RELEASE				Christy 5/27/2015			
REV.	REVISION			DIS	DATE				
SCALE	REV.	PAGE:	UNIT mm		DWG NO:		PART.NO		
4/1	B	1/1	THIRD ANGLE PROJECTION		C3001TB		300100TB351		