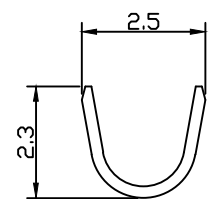
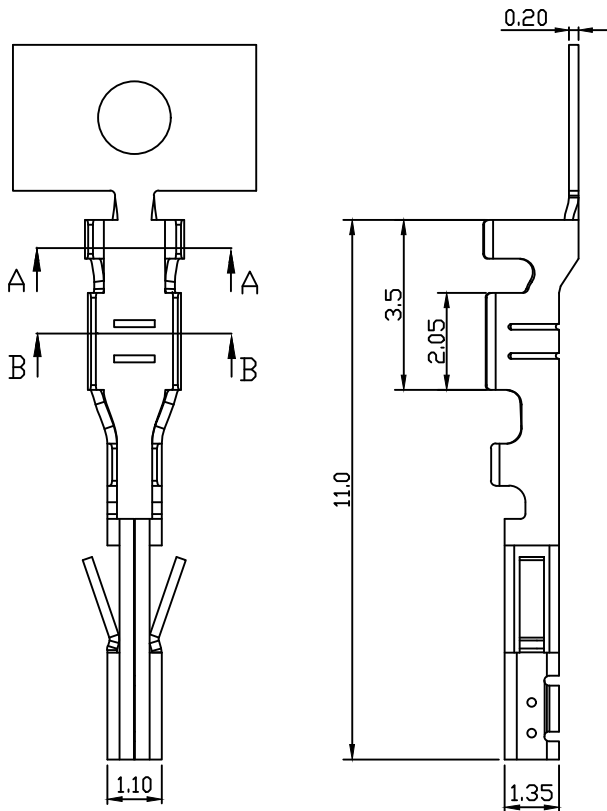
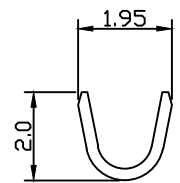


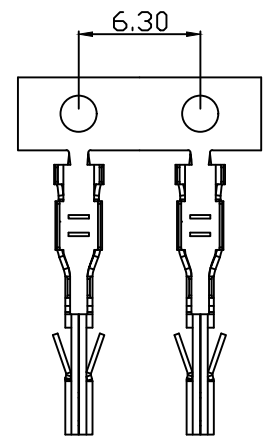
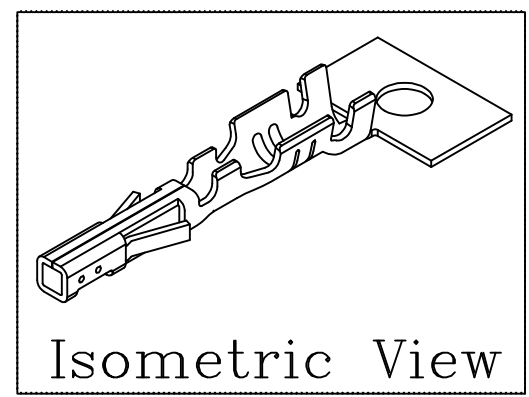
PART NO. 300100TB351
 DWG NO. C3001TB



SEC A-A



SEC B-B



NOTE:

1. Terminal Material: Phosphor
2. Plated: Tin pre-plated 50u"min.
3. Current rating: 5A AC/DC
4. Voltage rating: 250V AC/DC
5. Withstand voltage: 1500V AC/minute
6. Insulation resistance: 1000MΩ min
7. Applicable wires: AWG#24-#20
8. Insulation O.D.: 1.2~1.7mm
9. Q'ty / reel: 15,000pcs

B		pitch measure showed.		Christy 1/30 2018		UNLESS OTHERWISE SPECIFIED TOLERANCES 3 PLACE ±0.5 ±0.10 2 PLACE ±1.5 ±0.25 1 PLACE ±2.0 ±0.50 ANGLE DIM	 EXCON TECHNOLOGY COMPANY
A		DWG RELEASE		Christy 5/27 2015			
REV.	REVISION			DIS	DATE		
SCALE	REV.	PAGE:	UNIT	mm		DWG NO:	PART.NO
4/1	B	1/1	THIRD ANGLE	PROJECTION		C3001TB	300100TB351