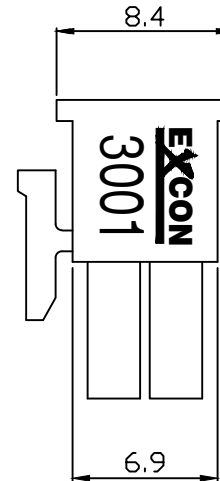
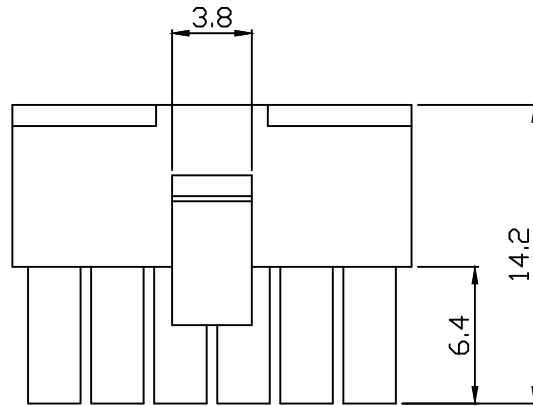
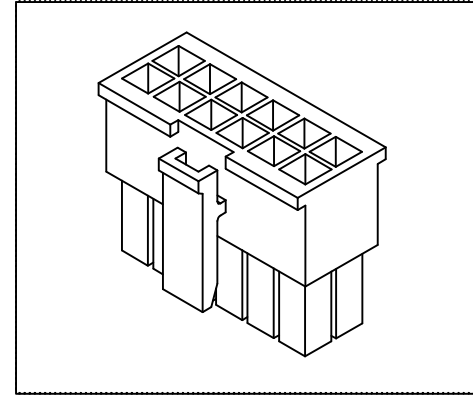
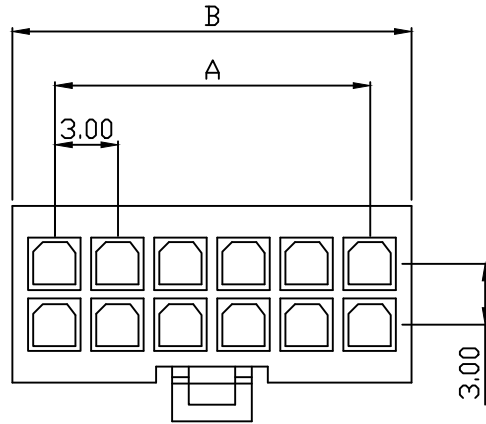


PART NO. 3001xxHM003  
 DWG NO. C3001HM



Dimensional & Ordering Information:

Part No.	Circuits	Dim A	Dim B
300102HM003	2	--	4.0
300104HM003	4	3.0	7.0
300106HM003	6	6.0	10.0
300108HM003	8	9.0	13.0
300110HM003	10	12.0	16.0
300112HM003	12	15.0	19.0
300114HM003	14	18.0	22.0
300116HM003	16	21.0	25.0
300118HM003	18	24.0	28.0
300120HM003	20	27.0	31.0
300122HM003	22	30.0	34.0
300124HM003	24	33.0	37.0

NOTE:

1. Housing Material: Nylon 66 UL94V0
2. Color: Black
3. Withstand voltage: 1500V AC/minute.
4. Current rating: 5A AC/DC.
5. Voltage rating: 250V AC/DC

				UNLESS OTHERWISE SPECIFIED TOLERANCES		 <b>EXCON TECHNOLOGY COMPANY</b>
				3 PLACE ±0.5 ±0.10		
				2 PLACE ±1.5 ±0.25		PART.NO
				1 PLACE ±2.0 ±0.50		
				ANGLE DIM		3001xxHM003
REV.	REVISIONI		DIS	DATE	DWG NO: C3001HM	
SCALE	REV.	PAGE:	UNIT	mm	PART.NO	
4/1	A	1/2	THIRD ANGLE PROJECTION		3001xxHM003	