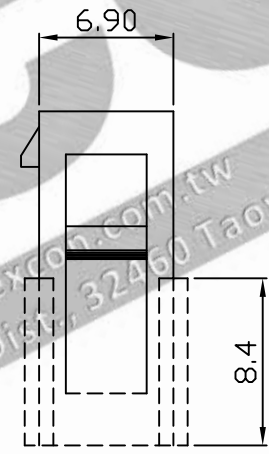
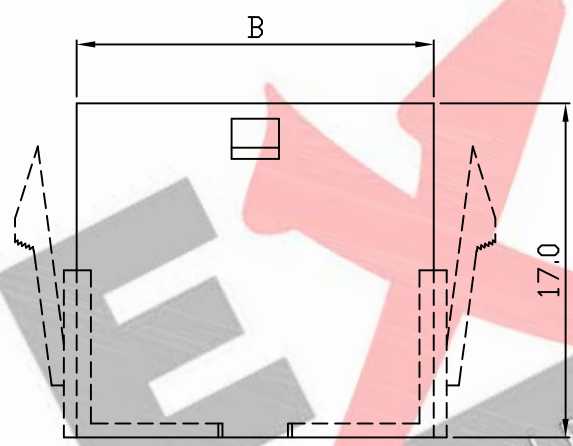
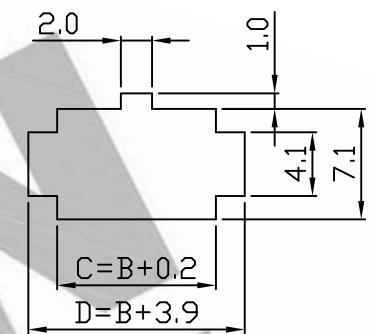
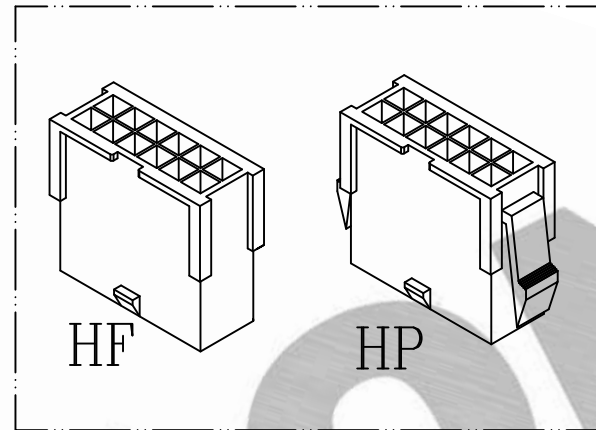
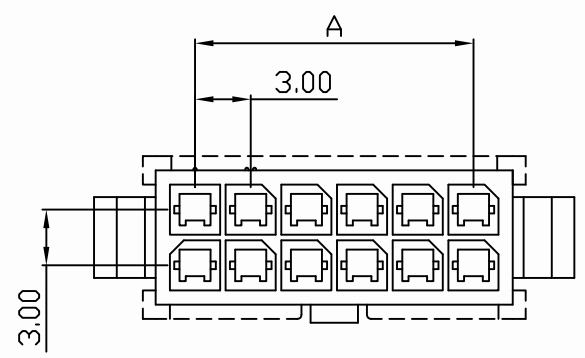


PART NO. 3001xxHF003
 DWG NO. C3001HF



Panel layout

Dimensional & Ordering Information:

Part No.		Circuits	Dim A	Dim B
Panel Mount	Free Mnging			
300102HP003	300102HF003	2	--	4.0
300104HP003	300104HF003	4	3.0	7.0
300106HP003	300106HF003	6	6.0	10.0
300108HP003	300108HF003	8	9.0	13.0
300110HP003	300110HF003	10	12.0	16.0
300112HP003	300112HF003	12	15.0	19.0
300114HP003	300114HF003	14	18.0	22.0
300116HP003	300116HF003	16	21.0	25.0
300118HP003	300118HF003	18	24.0	28.0
300120HP003	300120HF003	20	27.0	31.0
300122HP003	300122HF003	22	30.0	34.0
300124HP003	300124HF003	24	33.0	37.0

NOTE:

1. Housing Material: Nylon 66 UL94V0
2. Color: Natural
4. Withstand voltage: 1500V AC/minute.
5. Current rating: 5A AC/DC.
6. Voltage rating: 250V AC/DC

REV.	REVISIONI		DIS	DATE
SCALE	REV.	PAGE:	UNIT	mm
4/1	A	1	THIRD ANGLE PROJECTION	

UNLESS OTHERWISE SPECIFIED TOLERANCES
 3 PLACE ±0.5 ±0.10
 2 PLACE ±1.5 ±0.25
 1 PLACE ±2.0 ±0.50
 ANGLE DIM

EXCON
 EXCON TECHNOLOGY COMPANY

PART.NO
 3001xxHF003