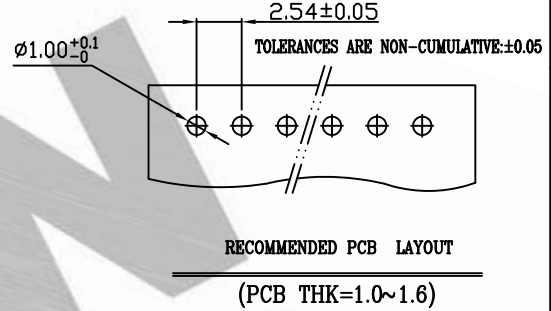
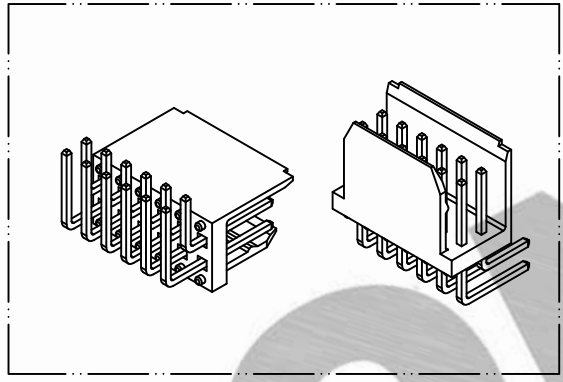
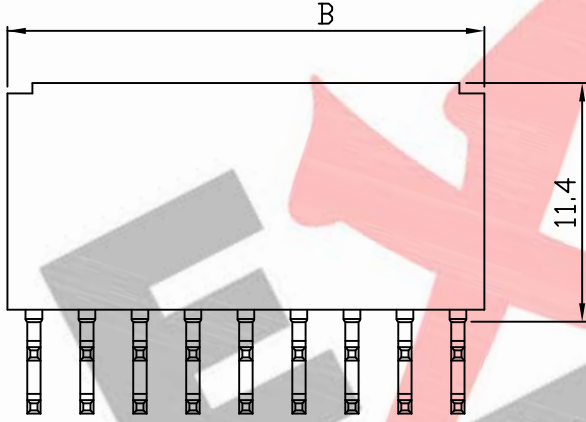
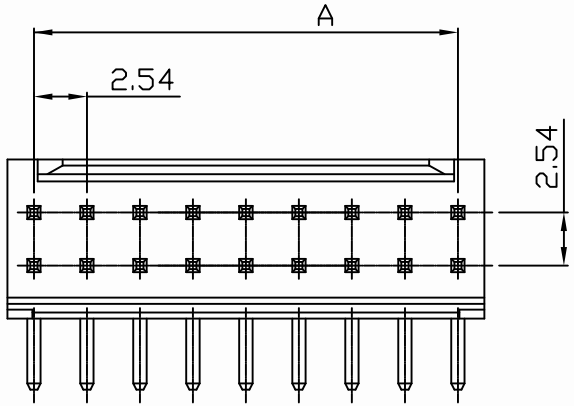


PART NO. 2551xxWR203
 DWG NO. C2551WR

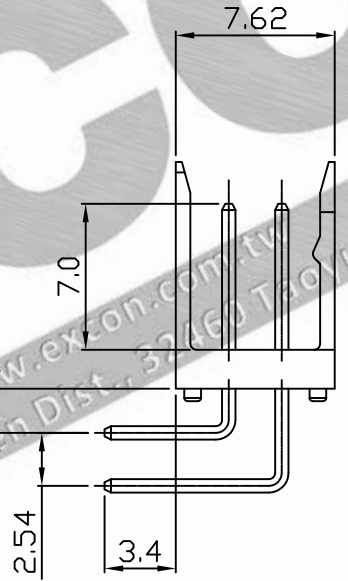


Ordering Information and Dimensions:

Part No.	Circuits	Dim A	Dim B
255106WR203	6	5.08	7.62
255108WR203	8	7.62	10.16
255110WR203	10	10.16	12.70
255112WR203	12	12.70	15.24
255114WR203	14	15.24	17.78
255116WR203	16	17.78	20.32
255118WR203	18	20.32	22.86
255120WR203	20	22.86	25.40
255122WR203	22	25.40	27.94
255124WR203	24	27.94	30.48
255126WR203	26	30.48	33.02
255128WR203	28	33.02	35.56
255130WR203	30	35.56	38.10
255132WR203	32	38.10	40.64
255134WR203	34	40.64	43.18
255136WR203	36	43.18	45.72

NOTE:

1. Wafer Material: PBT UL94V-0
Pin/Pos Material: brass bronze.
2. Plated: Tin-plated 50u" min
3. Insulation resistance: 1000MΩ min.
4. Withstand voltage: 1000V AC/minute.
5. Current rating: 3A AC/DC.
6. Voltage rating: 250V AC/DC



REV.	REVISION	DIS	DATE
4/1	A	1	

SCALE: UNIT: mm
 DWG NO: C2551WR
 THIRD ANGLE PROJECTION

UNLESS OTHERWISE SPECIFIED TOLERANCES
 3 PLACE ±0.5 ±0.10
 2 PLACE ±1.5 ±0.35
 1 PLACE ±2.0 ±0.50
 ANGLE DIM

EXCON
 EXCON TECHNOLOGY COMPANY
 PART.NO: 2551xxWR203