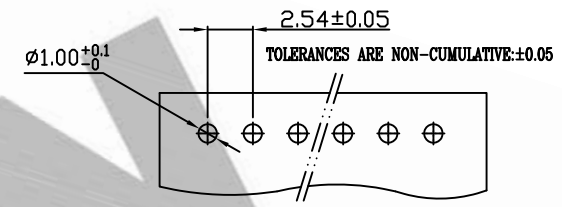
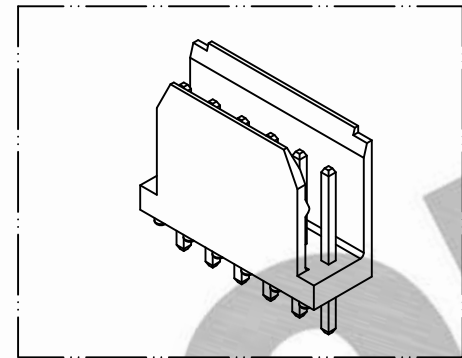
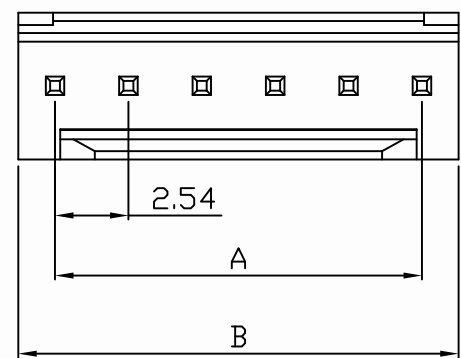
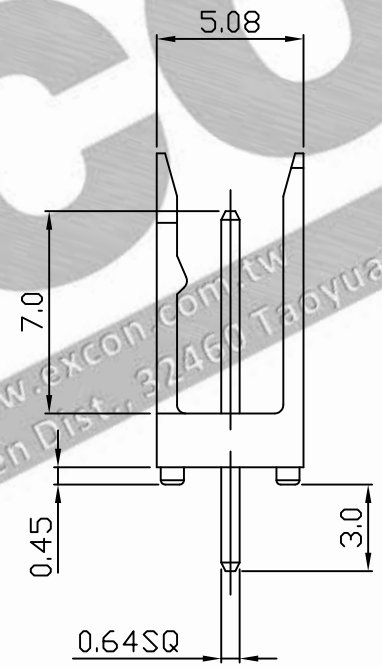
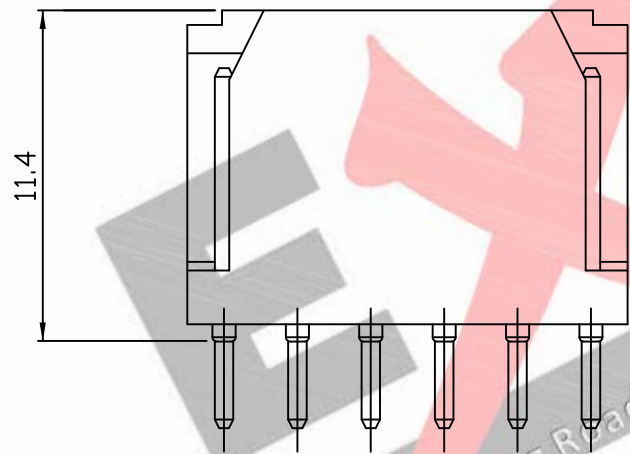


PART NO. 2550xxWV203  
 DWG NO. C2550WV



RECOMMENDED PCB LAYOUT  
 (PCB THK=1.0~1.6)



Ordering Information and Dimensions:

| Part No.    | Circuits | Dim A | Dim B |
|-------------|----------|-------|-------|
| 255002WV203 | 2        | 2.54  | 5.08  |
| 255003WV203 | 3        | 5.08  | 7.62  |
| 255004WV203 | 4        | 7.62  | 10.16 |
| 255005WV203 | 5        | 10.16 | 12.70 |
| 255006WV203 | 6        | 12.70 | 15.24 |
| 255007WV203 | 7        | 15.24 | 17.78 |
| 255008WV203 | 8        | 17.78 | 20.32 |
| 255009WV203 | 9        | 20.32 | 22.86 |
| 255010WV203 | 10       | 22.86 | 25.40 |
| 255011WV203 | 11       | 25.40 | 27.94 |
| 255012WV203 | 12       | 27.94 | 30.48 |
| 255013WV203 | 13       | 30.48 | 33.02 |
| 255014WV203 | 14       | 33.02 | 35.56 |
| 255015WV203 | 15       | 35.56 | 38.10 |
| 255016WV203 | 16       | 38.10 | 40.64 |

NOTE:

- Wafer Material: PBT UL94V-0  
Pin/Pos Material: brass bronze.
- Plated: Tin-plated 50u" min
- Insulation resistance: 1000MΩ min.
- Withstand voltage: 1000V AC/minute.
- Current rating: 3A AC/DC.
- Voltage rating: 250V AC/DC

|                                       |          |             |      |
|---------------------------------------|----------|-------------|------|
| UNLESS OTHERWISE SPECIFIED TOLERANCES |          |             |      |
| 3 PLACE ±0.5 ±0.10                    |          |             |      |
| 2 PLACE ±1.5 ±0.35                    |          |             |      |
| 1 PLACE ±2.0 ±0.50                    |          |             |      |
| ANGLE DIM                             |          |             |      |
| REV.                                  | REVISION | DIS         | DATE |
| SCALE                                 | REV.     | PAGE:       | UNIT |
| 4/1                                   | A        | 1           | MM   |
| THIRD ANGLE PROJECTION                |          |             |      |
| DWG NO:                               |          | PART.NO     |      |
| C2550WV                               |          | 2550xxWV203 |      |

**EXCON**  
 EXCON TECHNOLOGY COMPANY