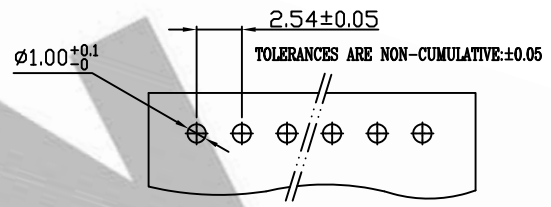
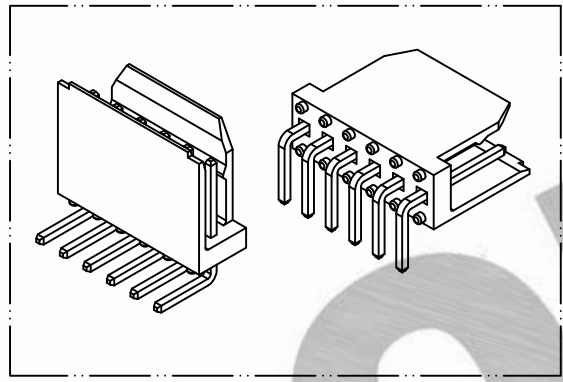
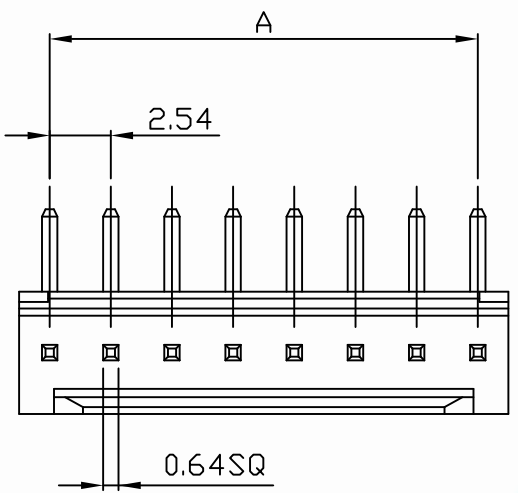


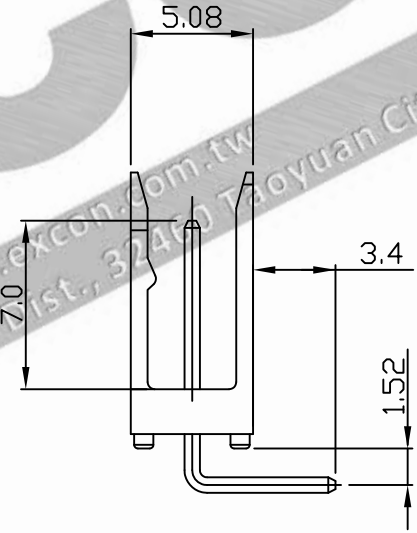
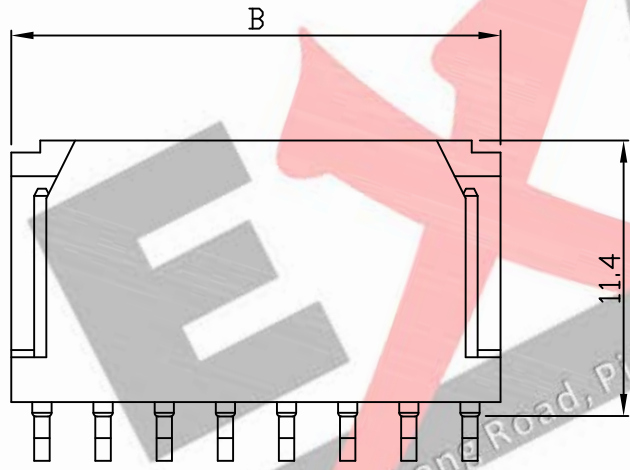
PART NO. 2550xxWR203  
 DWG NO. C2550WR



RECOMMENDED PCB LAYOUT  
 (PCB THK=1.0~1.6)

Ordering Information and Dimensions:

Part No.	Circuits	Dim A	Dim B
255002WR203	2	2.54	5.08
255003WR203	3	5.08	7.62
255004WR203	4	7.62	10.16
255005WR203	5	10.16	12.70
255006WR203	6	12.70	15.24
255007WR203	7	15.24	17.78
255008WR203	8	17.78	20.32
255009WR203	9	20.32	22.86
255010WR203	10	22.86	25.40
255011WR203	11	25.40	27.94
255012WR203	12	27.94	30.48
255013WR203	13	30.48	33.02
255014WR203	14	33.02	35.56
255015WR203	15	35.56	38.10
255016WR203	16	38.10	40.64



NOTE:

1. Wafer Material: PBT UL94V-0  
Pin/Pos Material: brass bronze.
2. Plated: Tin-plated 50u" min
3. Insulation resistance: 1000MΩ min.
4. Withstand voltage: 1000V AC/minute.
5. Current rating: 3A AC/DC.
6. Voltage rating: 250V AC/DC

UNLESS OTHERWISE SPECIFIED TOLERANCES			
3 PLACE ±0.5 ±0.10			
2 PLACE ±1.5 ±0.35			
1 PLACE ±2.0 ±0.50			
ANGLE DIM			
REV.	REVISION		DIS DATE
SCALE	REV.	PAGE:	UNIT mm
4/1	A	1	THIRD ANGLE PROJECTION
DWG NO:			C2550WR

**EXCON**  
 EXCON TECHNOLOGY COMPANY

PART.NO  
 2550xxWR203