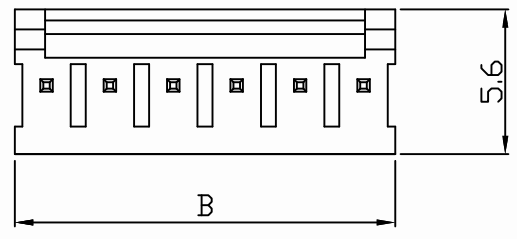
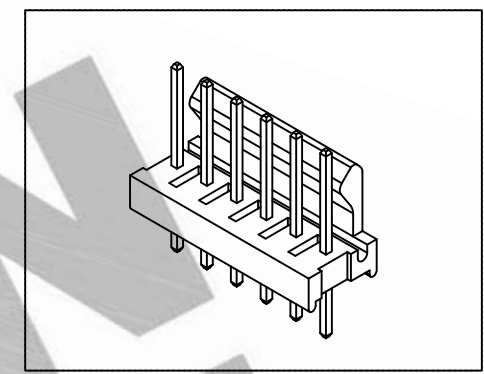
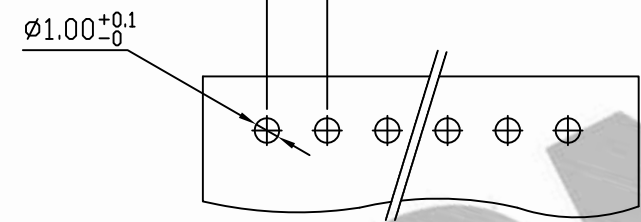


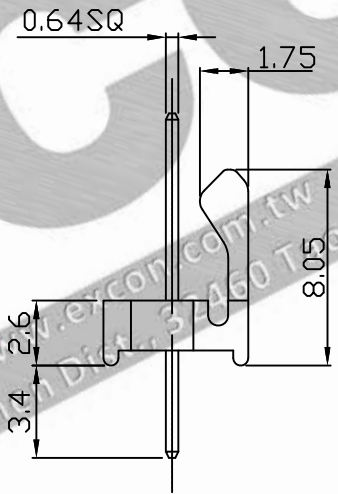
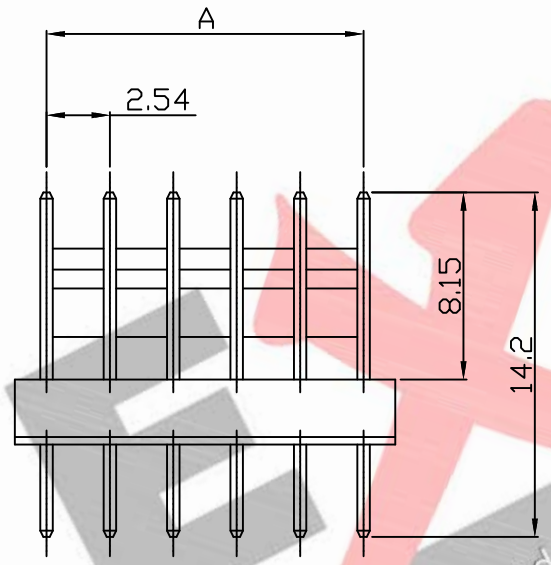
PART NO. 2549xxWV001
 DWG NO. C2549WV



TOLERANCES ARE NON-CUMULATIVE: ±0.05
 2.54±0.05



RECOMMENDED PCB LAYOUT
 (PCB THK=1.0~1.6)



Dimensional & Ordering Information:

Part No.	Circuits	Dim A	Dim B
254902WV001	2	2.54	5.08
254903WV001	3	5.08	7.62
254904WV001	4	7.62	10.16
254905WV001	5	10.16	12.70
254906WV001	6	12.70	15.24
254907WV001	7	15.24	17.78
254908WV001	8	17.78	20.32
254909WV001	9	20.32	22.86
254910WV001	10	22.86	25.40
254911WV001	11	25.40	27.94
254912WV001	12	27.94	30.48
254913WV001	13	30.48	33.02
254914WV001	14	33.02	35.56
254915WV001	15	35.56	38.10
254916WV001	16	38.10	40.64
254917WV001	17	40.64	43.18
254918WV001	18	43.18	45.72
254919WV001	19	45.72	48.26
254920WV001	20	48.26	50.80

NOTE:

1. Wafer Material: Nylon 66 UL94V0
Pin/Pos Material: brass bronze.
2. Plated: Tin-plated 50u"min.
3. Insulation resistance: 1000MΩ min.
4. Withstand voltage: 1000V AC/minute.
5. Current rating: 3A AC/DC.
6. Voltage rating: 250V AC/DC

UNLESS OTHERWISE SPECIFIED TOLERANCES			
3 PLACE ±0.5 ±0.10			
2 PLACE ±1.5 ±0.35			
1 PLACE ±2.0 ±0.50			
ANGLE DIM			
REV.	REVISION		DIS DATE
SCALE	REV.	PAGE:	UNIT mm
4/1	A	1	THIRD ANGLE PROJECTION

EXCON
 EXCON TECHNOLOGY COMPANY

PART.NO
 2549xxWV001