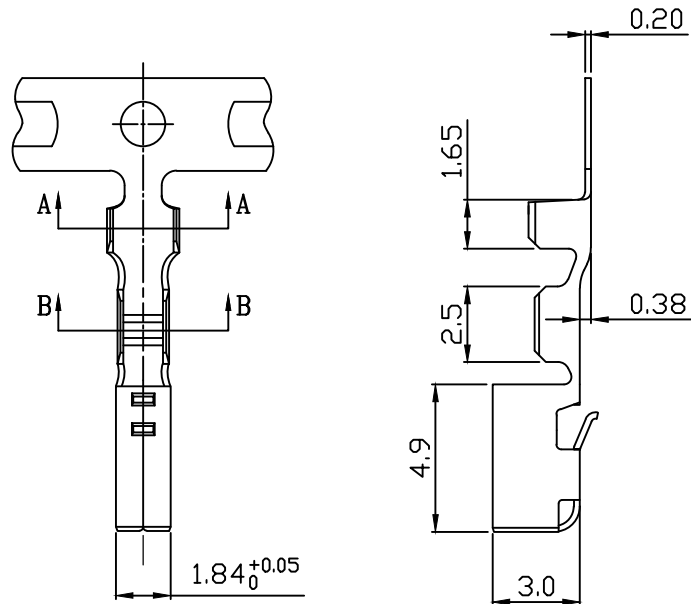
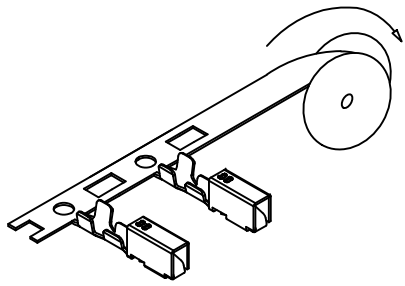
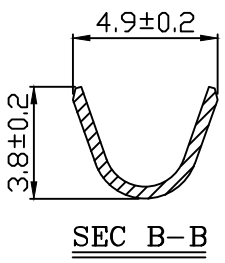
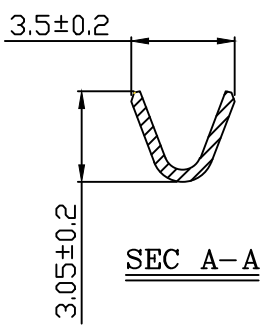
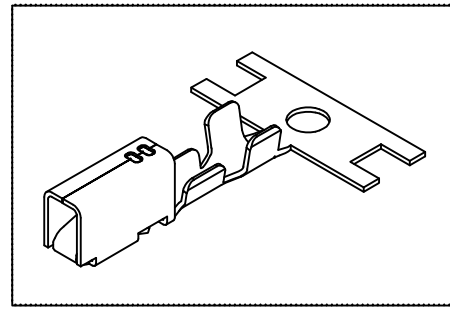


PART NO. 254900TCxxx  
 DWG NO. C2549TC



- NOTE:
1. Terminal Material: See table
  2. Plated: Ni 25u"min Tin-plated 50u"min.
  4. Applicable wires: See table
  5. Q'ty / reel: 10,000pcs



No.	Part No.	Material	Material NO.	Finish
1	254900TC351	phosphor	020415T3951	Tin pre-plated
2	254900TC051	Brass	020415T2051	

				UNLESS OTHERWISE SPECIFIED TOLERANCES		 <b>EXCON TECHNOLOGY COMPANY</b>
				3 PLACE $\pm 0.5$ $\pm 0.10$		
				2 PLACE $\pm 1.5$ $\pm 0.25$		PART.NO
				1 PLACE $\pm 2.0$ $\pm 0.50$		
				ANGLE DIM		254900TCxxx
REV.	REVISIONI		DIS	DATE		
SCALE	REV.	PAGE:	UNIT	mm	DWG NO:	
NONE	B	1	THIRD ANGLE PROJECTION		C2549TC	