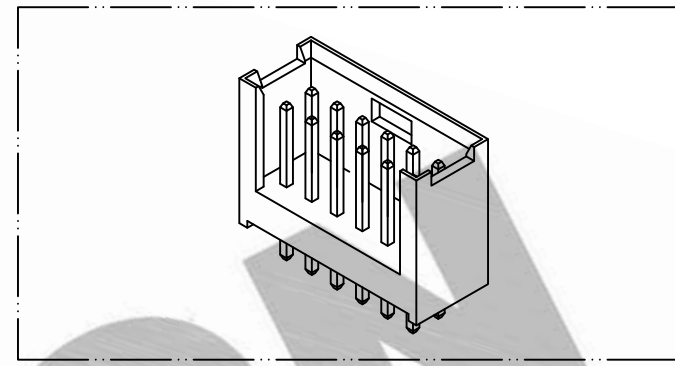
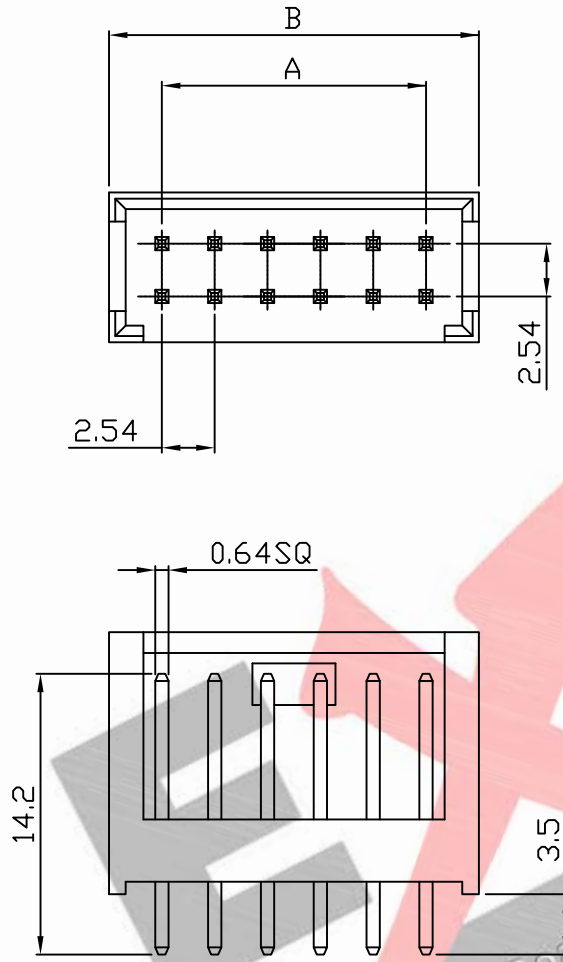
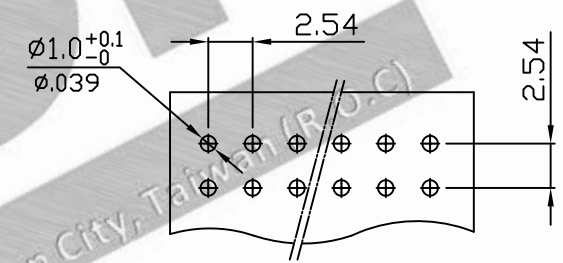


PART NO. 2548xxWV203
 DWG NO. C2548WV



TOLERANCES ARE NON-CUMULATIVE:±0.05



RECOMMENDED PCB LAYOUT
 (PCB THK=1.0~1.6)

Ordering Information and Dimensions:

Part No.	Circuits	Dim A	Dim B
254808WV203	8	7.62	12.70
254812WV203	12	12.70	17.78
254816WV203	16	17.78	22.86
254818WV203	18	20.32	25.40
254824WV203	24	27.94	33.02
254830WV203	30	35.56	40.64

NOTE:

1. Wafer Material: PBT UL94V-0
Pin/Pos Material: brass bronze.
2. Plated: Tin-plated 50u" min
3. Insulation resistance: 1000MΩ min.
4. Withstand voltage: 1000V AC/minute.
5. Current rating: 3A AC/DC.
6. Voltage rating: 250V AC/DC

				UNLESS OTHERWISE SPECIFIED TOLERANCES	
				3 PLACE ±0.5 ±0.10	
				2 PLACE ±1.5 ±0.25	
				1 PLACE ±2.0 ±0.50	
				ANGLE DIM	
REV.	REVISION			DIS	DATE
SCALE	REV.	PAGE:	UNIT	mm	
3/1	A	1	THIRD ANGLE PROJECTION	C2548WV	

EXCON

EXCON TECHNOLOGY COMPANY

PART.NO

2548xxWV203