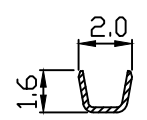
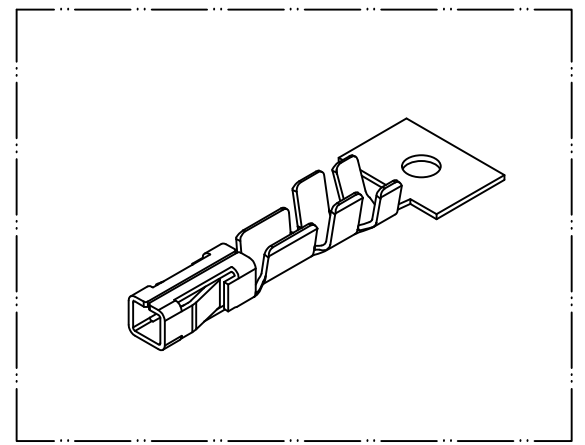
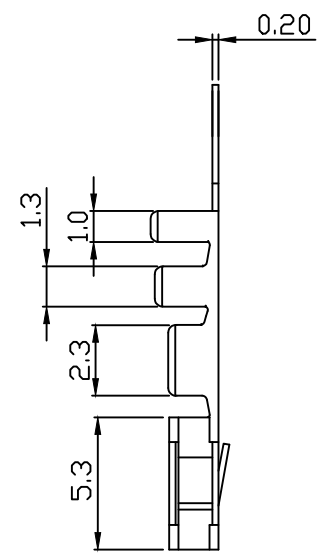
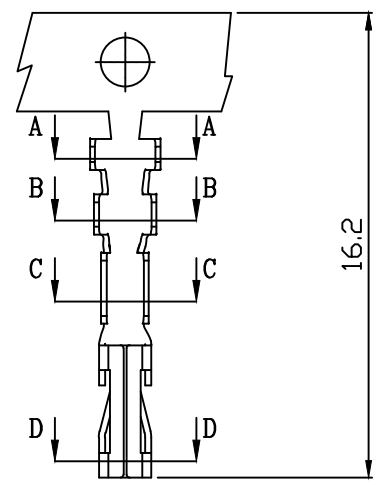
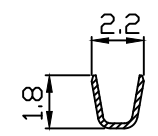


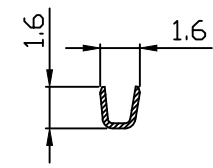
PART NO. 254800TC351  
 DWG NO. C2548TC



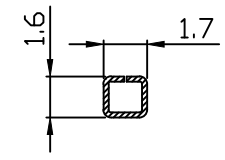
SEC A-A



SEC B-B



SEC C-C



SEC D-D

NOTE:

1. Terminal Material: phosphor bronze
2. Plated: Tin-plated 50u"min.
3. Applicable wires: AWG#26~#22
4. Insulation O.D.: 0.9~1.55mm
5. Q'ty / reel: 20,000 PCS

| Part No.    | Wire Range | Material | Finish         |
|-------------|------------|----------|----------------|
| 254800TC351 | AWG#26~#22 | phosphor | Tin pre-plated |
| 254800TC501 | AWG#26~#22 | phosphor | Gold flash     |

|       |           |       |                        |                                       |             |                                          |
|-------|-----------|-------|------------------------|---------------------------------------|-------------|------------------------------------------|
|       |           |       |                        | UNLESS OTHERWISE SPECIFIED TOLERANCES |             | <b>EXCON</b><br>EXCON TECHNOLOGY COMPANY |
|       |           |       |                        | 3 PLACE ±0.5 ±0.10                    |             |                                          |
|       |           |       |                        | 2 PLACE ±1.5 ±0.25                    |             |                                          |
|       |           |       |                        | 1 PLACE ±2.0 ±0.50                    |             |                                          |
|       |           |       |                        | ANGLE DIM                             |             |                                          |
| REV.  | REVISIONI |       |                        | DIS                                   | DATE        |                                          |
| SCALE | REV.      | PAGE: | UNIT                   | mm                                    |             | DWG NO:                                  |
| 6/1   | B         | 1     | THIRD ANGLE PROJECTION |                                       |             | C2548TC                                  |
|       |           |       |                        |                                       | PART.NO     |                                          |
|       |           |       |                        |                                       | 254800TC351 |                                          |