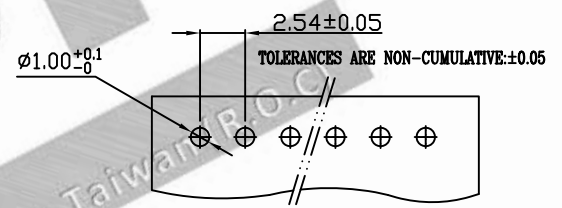
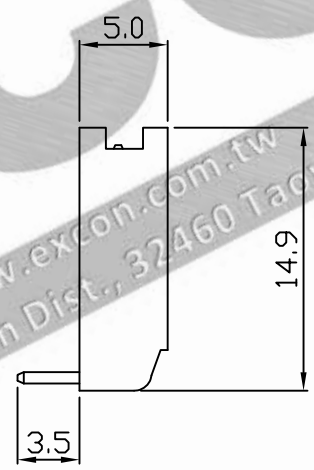
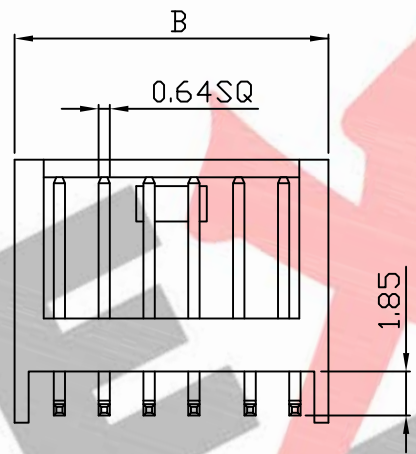
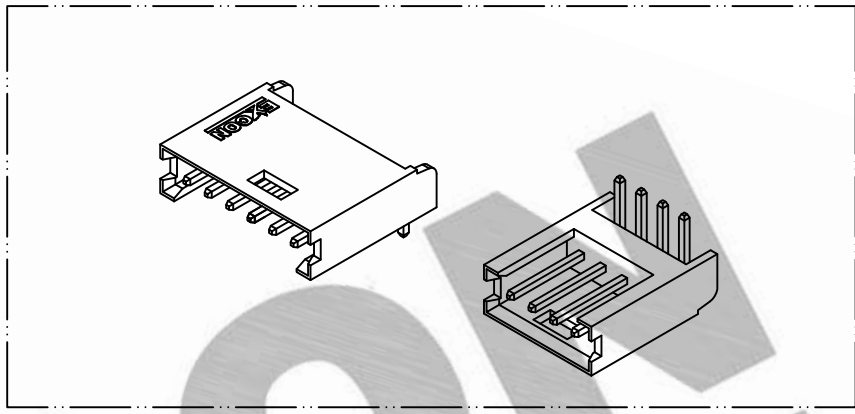
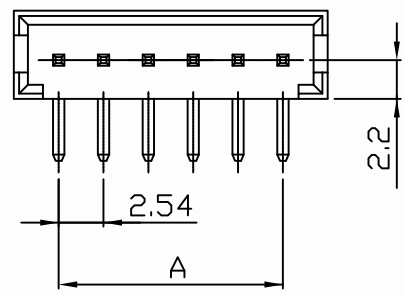


10 9 8 7 6 5 4 3 2 1

PART NO. 2547xxWR203
 DWG NO. C2547WR



RECOMMENDED PCB LAYOUT
 (PCB THK=1.0~1.6)

Dimensional & Ordering Information:

Part No.	Circuits	Dim A	Dim B
254702WR203	2	2.54	7.62
254704WR203	4	7.62	12.70
254706WR203	6	12.70	17.78
254708WR203	8	17.78	22.86
254709WR203	9	20.32	25.40
254710WR203	10	22.86	27.94
254712WR203	12	27.94	33.02
254715WR203	15	35.56	40.64
254722WR203	22	53.34	58.42

NOTE:

1. Wafer Material: PBT UL94V-0
Pin/Pos Material: brass bronze.
2. Plated: Tin-plated 50u" min
3. Insulation resistance: 1000M Ω min.
4. Withstand voltage: 1000V AC/minute.
5. Current rating: 3A AC/DC.
6. Voltage rating: 250V AC/DC

UNLESS OTHERWISE SPECIFIED TOLERANCES			
3 PLACE $\pm 0.5 \pm 0.10$			
2 PLACE $\pm 1.5 \pm 0.25$			
1 PLACE $\pm 2.0 \pm 0.50$			
ANGLE DIM			
REV.	REVISION		DIS DATE
SCALE	REV.	PAGE:	UNIT M M
3/1	A	1	THIRD ANGLE PROJECTION

DWG NO: C2547WR

EXCON
 EXCON TECHNOLOGY COMPANY
 PART.NO 2547xxWR203

A

B

C

D

E

F

10 9 8 7 6 5 4 3 2 1