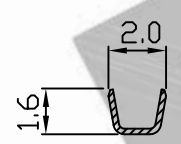
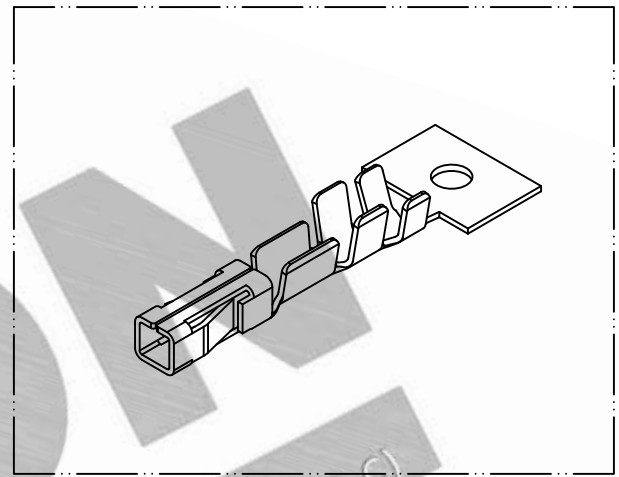
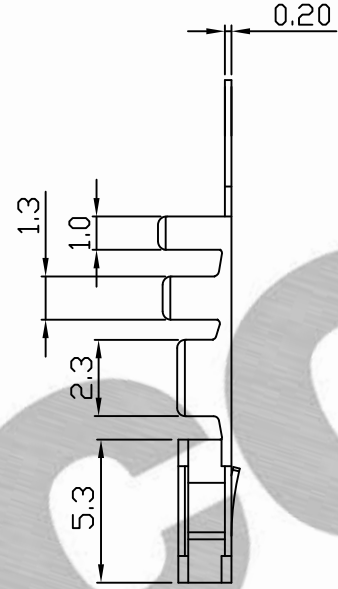
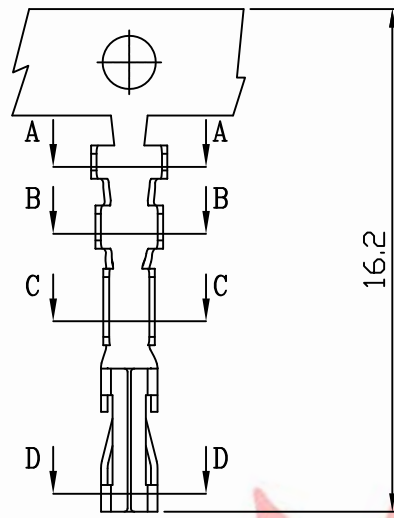
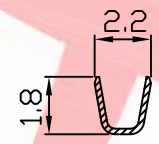


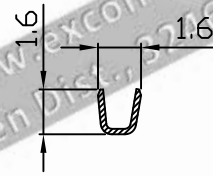
PART NO. 254700TC351
 DWG NO. C2547TC



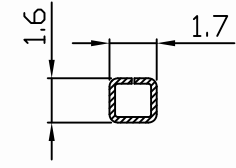
SEC A-A



SEC B-B



SEC C-C



SEC D-D

Part No.	Wire Range	Material	Finish
254700TC351	AWG#26~#22	phosphor	Tin pre-plated
254700TC501	AWG#26~#22	phosphor	Gold flash

NOTE:

1. Terminal Material: phosphor bronze
2. Plated: Tin-plated 50u"min.
3. Applicable wires: AWG#26~#22
4. Insulation O.D.: 0.9~1.55mm
5. Q'ty / reel: 20,000 PCS

UNLESS OTHERWISE SPECIFIED TOLERANCES
 3 PLACE ±0.5 ±0.10
 2 PLACE ±1.5 ±0.25
 1 PLACE ±2.0 ±0.50
 ANGLE DIM



REV.	REVISION	DIS	DATE	SCALE	REV.	PAGE	UNIT	MM	DWG NO:	PART.NO
6/1	B	1					THIRD ANGLE PROJECTION		C2547TC	254700TC351