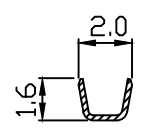
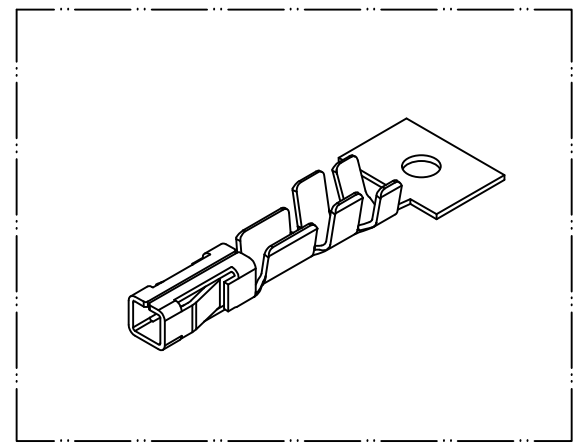
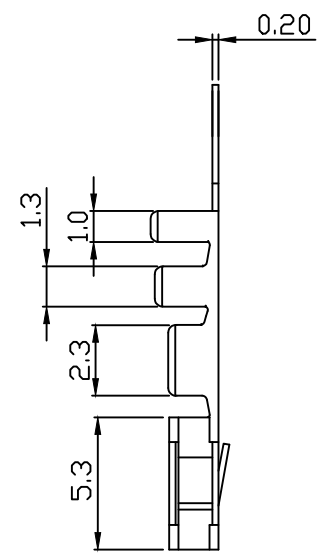
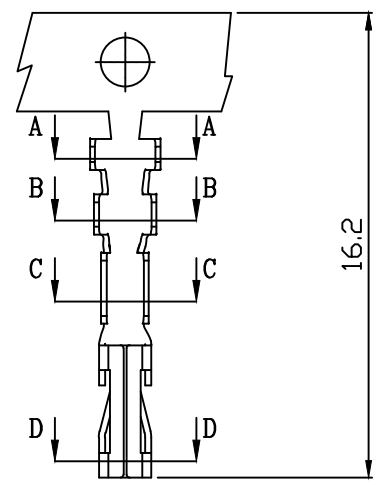
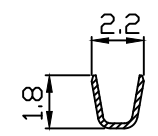


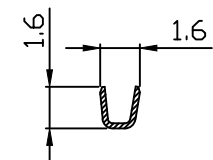
PART NO. 254700TC351
 DWG NO. C2547TC



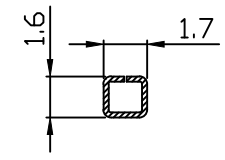
SEC A-A



SEC B-B



SEC C-C



SEC D-D

NOTE:

1. Terminal Material: phosphor bronze
2. Plated: Tin-plated 50u"min.
3. Applicable wires: AWG#26~#22
4. Insulation O.D.: 0.9~1.55mm
5. Q'ty / reel: 20,000 PCS

Part No.	Wire Range	Material	Finish
254700TC351	AWG#26~#22	phosphor	Tin pre-plated
254700TC501	AWG#26~#22	phosphor	Gold flash

				UNLESS OTHERWISE SPECIFIED TOLERANCES		 EXCON TECHNOLOGY COMPANY
				3 PLACE ±0.5 ±0.10		
				2 PLACE ±1.5 ±0.25		
				1 PLACE ±2.0 ±0.50		
				ANGLE DIM		
REV.	REVISIONI			DIS	DATE	
SCALE	REV.	PAGE:	UNIT	mm		DWG NO:
6/1	B	1	THIRD ANGLE PROJECTION			C2547TC
					PART.NO	
					254700TC351	