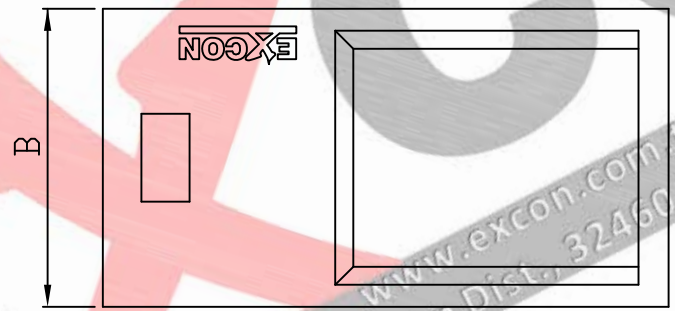
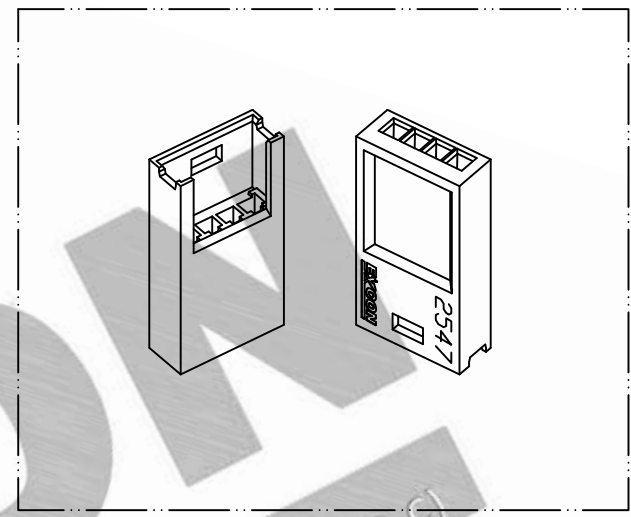
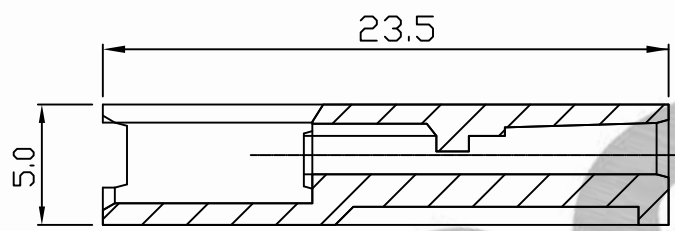
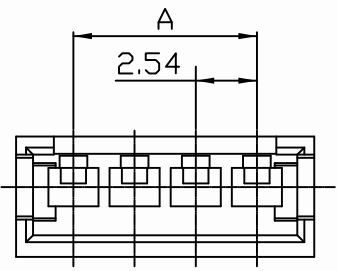


PART NO. 2547xxHF298  
 DWG NO. C2547HF



Dimensional & Ordering Information:

Part No.	Circuits	Dim A	Dim B
254702HF298	2	2.54	7.12
254704HF298	4	7.62	12.20
254706HF298	6	12.70	17.28
254708HF298	8	17.78	22.36
254709HF298	9	20.32	24.90
254710HF298	10	22.86	27.44
254712HF298	12	27.94	32.52
254715HF298	15	35.56	40.14
254722HF298	22	53.34	57.92

NOTE:

1. Housing Material: PPO UL94-V0
2. Insulation resistance: 1000MΩ min.
3. Withstand voltage: 1000V AC/minute.
4. Current rating: 3A AC/DC.
5. Voltage rating: 250V AC/DC

UNLESS OTHERWISE SPECIFIED TOLERANCES			
3 PLACE ±0.5 ±0.10			
2 PLACE ±1.5 ±0.25			
1 PLACE ±2.0 ±0.50			
ANGLE DIM			
REV.	REVISION		DIS DATE
SCALE	REV.	PAGE:	UNIT mm
3/1	A	1	THIRD ANGLE PROJECTION

**EXCON**  
 EXCON TECHNOLOGY COMPANY

PART.NO  
 2547xxHF298