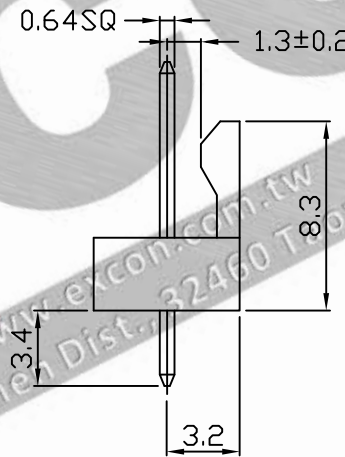
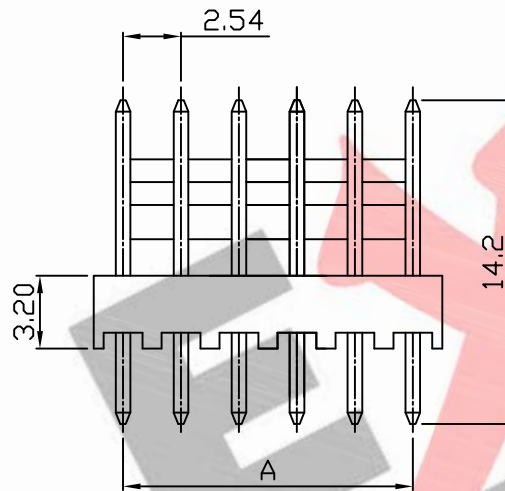
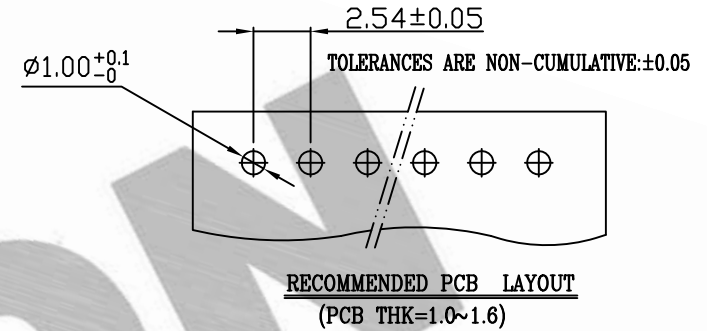
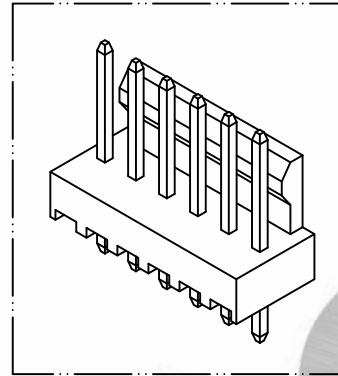
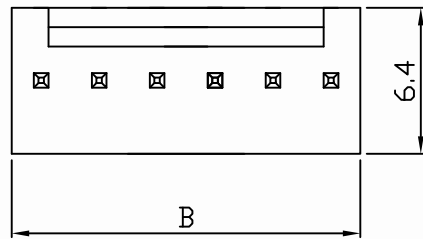


PART NO. 2546xxWV001
 DWG NO. C2546WV



Dimensional & Ordering Information:

Part No.	Circuits	Dim A	Dim B
254602WV001	2	2.54	5.08
254603WV001	3	5.08	7.62
254604WV001	4	7.62	10.16
254605WV001	5	10.16	12.70
254606WV001	6	12.70	15.24
254607WV001	7	15.24	17.78
254608WV001	8	17.78	20.32
254609WV001	9	20.32	22.86
254610WV001	10	22.86	25.40
254611WV001	11	25.40	27.94
254612WV001	12	27.94	30.48
254613WV001	13	30.48	33.02
254614WV001	14	33.02	35.56
254615WV001	15	35.56	38.10
254616WV001	16	38.10	40.64
254617WV001	17	40.64	43.18
254618WV001	18	43.18	45.72
254619WV001	19	45.72	48.26
254620WV001	20	48.26	50.80

NOTE:

1. Wafer Material: Nylon 66 UL94V-0
Pin/Pos Material: brass bronze.
2. Plated: Tin-plated 50u"min.
3. Insulation resistance: 1000MΩ min.
4. Withstand voltage: 1000V AC/minute.
5. Current retang: 3A AC/DC.
6. Voltage rating: 250V AC/DC

REV.	REVISIONI			DIS	DATE	UNLESS OTHERWISE SPECIFIED TOLERANCES 3 PLACE ±0.5 ±0.10 2 PLACE ±1.5 ±0.20 1 PLACE ±2.0 ±0.30 ANGLE DIM
SCALE	REV.	PAGE:	UNIT	mm	DWG NO:	
5/1	A	1/1	THIRD ANGLE PROJECTION		C2546WV	

EXCON
 EXCON TECHNOLOGY COMPANY

PART.NO
 2546xxWV001