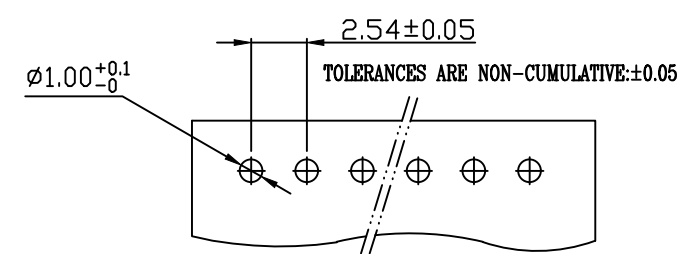
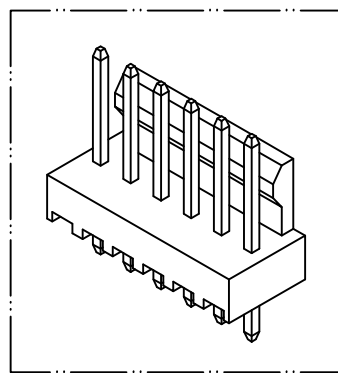
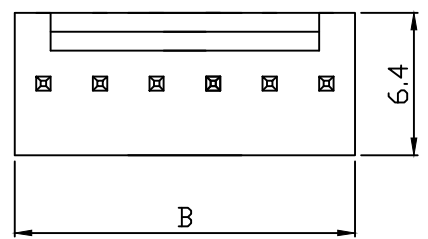
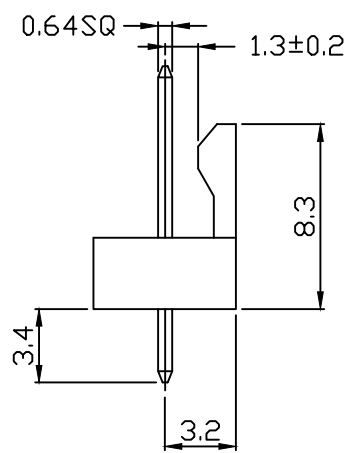
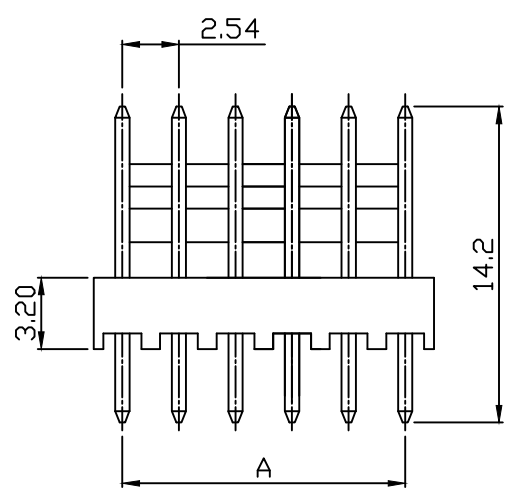


PART NO. 2546xxWV061
 DWG NO. C2546WV



RECOMMENDED PCB LAYOUT
 (PCB THK=1.0~1.6)



Dimensional & Ordering Information:

Part No.	Circuits	Dim A	Dim B
254602WV061	2	2.54	5.08
254603WV061	3	5.08	7.62
254604WV061	4	7.62	10.16
254605WV061	5	10.16	12.70
254606WV061	6	12.70	15.24
254607WV061	7	15.24	17.78
254608WV061	8	17.78	20.32
254609WV061	9	20.32	22.86
254610WV061	10	22.86	25.40
254611WV061	11	25.40	27.94
254612WV061	12	27.94	30.48
254613WV061	13	30.48	33.02
254614WV061	14	33.02	35.56
254615WV061	15	35.56	38.10
254616WV061	16	38.10	40.64
254617WV061	17	40.64	43.18
254618WV061	18	43.18	45.72
254619WV061	19	45.72	48.26
254620WV061	20	48.26	50.80

NOTE:

1. Wafer Material: Nylon 66 UL94V-0
Pin/Pos Material: brass bronze.
2. Plated: Tin-plated 50u"min.
3. Insulation resistance: 1000MΩ min.
4. Withstand voltage: 1000V AC/minute.
5. Current rating: 3A AC/DC.
6. Voltage rating: 250V AC/DC

REV.	REVISION	DIS	DATE
SCALE	REV.	PAGE:	UNIT
5/1	A	1/1	mm
THIRD ANGLE PROJECTION			DWG NO:
			C2546WV

UNLESS OTHERWISE SPECIFIED TOLERANCES
 3 PLACE ±0.5 ±0.10
 2 PLACE ±1.5 ±0.20
 1 PLACE ±2.0 ±0.30
 ANGLE DIM

EXCON
 EXCON TECHNOLOGY COMPANY

PART.NO
 2546xxWV061