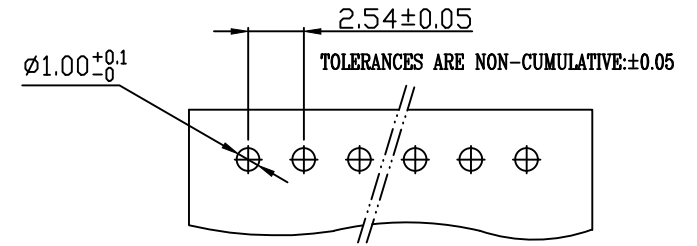
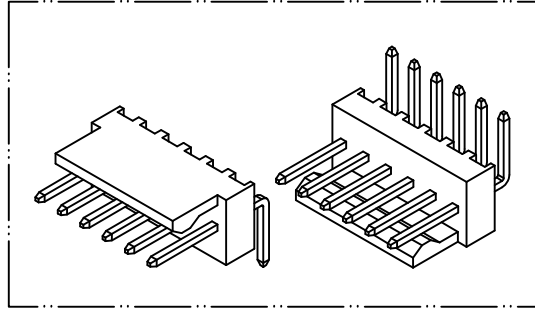
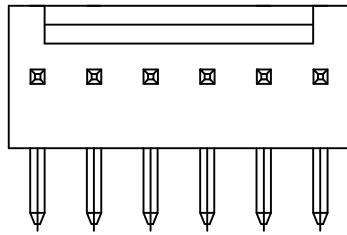
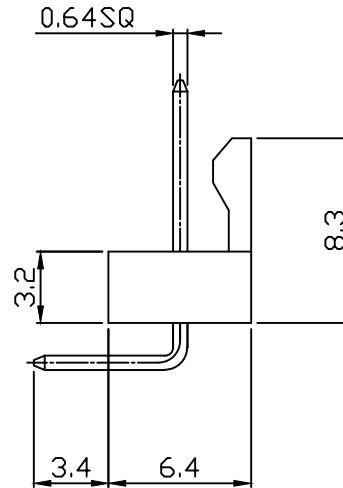
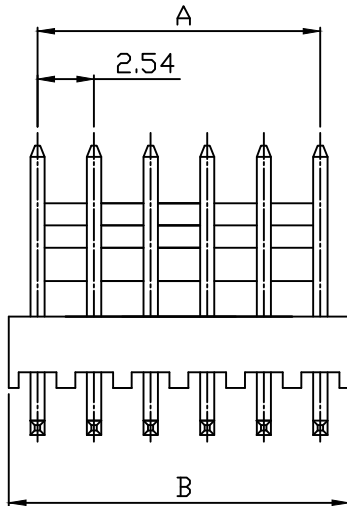


10 9 8 7 6 5 4 3 2 1

PART NO. 2546xxWR061
 DWG NO. C2546WR



RECOMMENDED PCB LAYOUT
 (PCB THK=1.0~1.6)



Dimensional & Ordering Information:

Part No.	Circuits	Dim A	Dim B
254602WR061	2	2.54	5.08
254603WR061	3	5.08	7.62
254604WR061	4	7.62	10.16
254605WR061	5	10.16	12.70
254606WR061	6	12.70	15.24
254607WR061	7	15.24	17.78
254608WR061	8	17.78	20.32
254609WR061	9	20.32	22.86
254610WR061	10	22.86	25.40
254611WR061	11	25.40	27.94
254612WR061	12	27.94	30.48
254613WR061	13	30.48	33.02
254614WR061	14	33.02	35.56
254615WR061	15	35.56	38.10
254616WR061	16	38.10	40.64
254617WR061	17	40.64	43.18
254618WR061	18	43.18	45.72
254619WR061	19	45.72	48.26
254620WR061	20	48.26	50.80

NOTE:

1. Wafer Material: Nylon 66 UL
Pin/Pos Material: brass bronze.
2. Plated: Tin-plated 50u"min.
3. Insulation resistance: 1000MΩ min.
4. Withstand voltage: 1000V AC/minute.
5. Current rating: 3A AC/DC.
6. Voltage rating: 250V AC/DC

REV.	REVISION		DIS	DATE	UNLESS OTHERWISE SPECIFIED TOLERANCES 3 PLACE ±0.5 ±0.10 2 PLACE ±1.5 ±0.25 1 PLACE ±2.0 ±0.50 ANGLE DIM
SCALE	REV.	PAGE	UNIT	m m	
4/1	A	1	THIRD ANGLE PROJECTION	⊕	

EXCON
 EXCON TECHNOLOGY COMPANY

PART.NO
 2546xxWR061

E
D
C
B
A

F
E
D
C
B
A

10 9 8 7 6 5 4 3 2 1