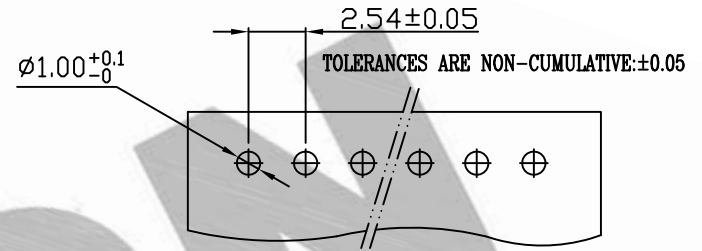
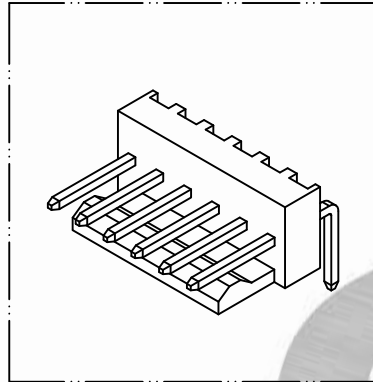
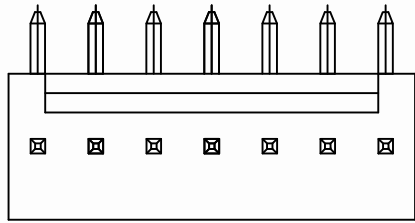
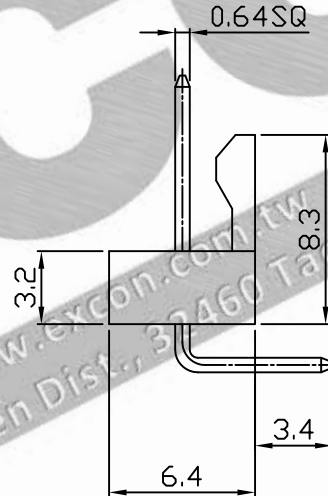
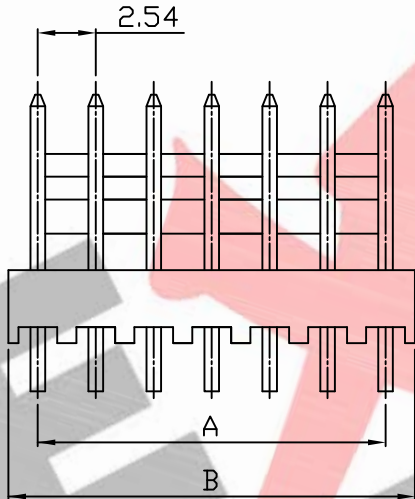


PART NO. 2546xxWJ001
 DWG NO. C2546WJ



RECOMMENDED PCB LAYOUT
 (PCB THK=1.0~1.6)



Dimensional & Ordering Information:

Part No.	Circuits	Dim A	Dim B
254602WJ001	2	2.54	5.08
254603WJ001	3	5.08	7.62
254604WJ001	4	7.62	10.16
254605WJ001	5	10.16	12.70
254606WJ001	6	12.70	15.24
254607WJ001	7	15.24	17.78
254608WJ001	8	17.78	20.32
254609WJ001	9	20.32	22.86
254610WJ001	10	22.86	25.40
254611WJ001	11	25.40	27.94
254612WJ001	12	27.94	30.48
254613WJ001	13	30.48	33.02
254614WJ001	14	33.02	35.56
254615WJ001	15	35.56	38.10
254616WJ001	16	38.10	40.64
254617WJ001	17	40.64	43.18
254618WJ001	18	43.18	45.72
254619WJ001	19	45.72	48.26
254620WJ001	20	48.26	50.80

NOTE:

1. Wafer Material: Nylon 66 UL94V-0
Pin/Pos Material: brass bronze.
2. Plated: Tin-plated 50u"min.
3. Insulation resistance: 1000MΩ min.
4. Withstand voltage: 1000V AC/minute.
5. Current rating: 3A AC/DC.
6. Voltage rating: 250V AC/DC

REV.	REVISION			DIS	DATE
SCALE	REV.	PAGE:	UNIT	mm	
4/1	A	1	THIRD ANGLE PROJECTION		

UNLESS OTHERWISE SPECIFIED TOLERANCES
 3 PLACE ±0.5 ±0.10
 2 PLACE ±1.5 ±0.25
 1 PLACE ±2.0 ±0.50
 ANGLE DIM

EXCON
 EXCON TECHNOLOGY COMPANY

DWG NO:			PART.NO		
C2546WJ			2546xxWJ001		