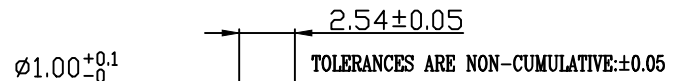
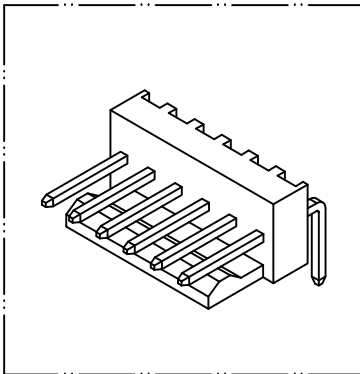
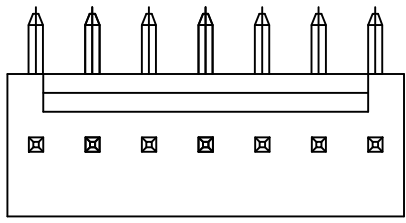
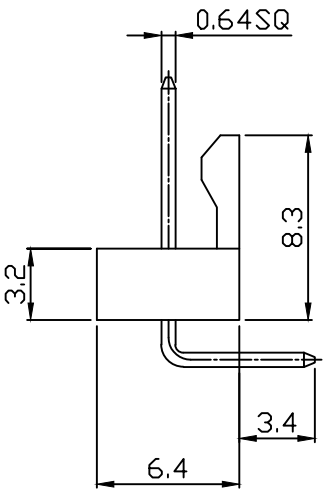
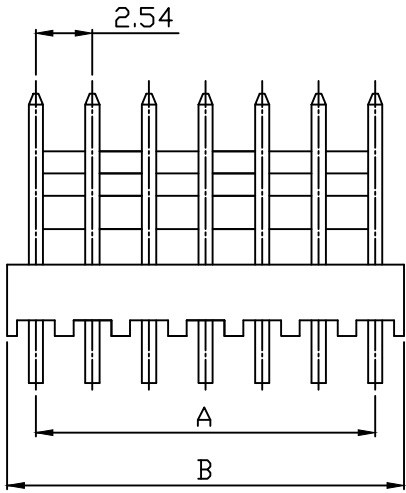


10 9 8 7 6 5 4 3 2 1

PART NO. 2546xxWJ061
 DWG NO. C2546WJ



RECOMMENDED PCB LAYOUT
 (PCB THK=1.0~1.6)



Dimensional & Ordering Information:

Part No.	Circuits	Dim A	Dim B
254602WJ061	2	2.54	5.08
254603WJ061	3	5.08	7.62
254604WJ061	4	7.62	10.16
254605WJ061	5	10.16	12.70
254606WJ061	6	12.70	15.24
254607WJ061	7	15.24	17.78
254608WJ061	8	17.78	20.32
254609WJ061	9	20.32	22.86
254610WJ061	10	22.86	25.40
254611WJ061	11	25.40	27.94
254612WJ061	12	27.94	30.48
254613WJ061	13	30.48	33.02
254614WJ061	14	33.02	35.56
254615WJ061	15	35.56	38.10
254616WJ061	16	38.10	40.64
254617WJ061	17	40.64	43.18
254618WJ061	18	43.18	45.72
254619WJ061	19	45.72	48.26
254620WJ061	20	48.26	50.80

NOTE:

1. Wafer Material: Nylon 66 UL94V-0
Pin/Pos Material: brass bronze.
2. Plated: Tin-plated 50u"min.
3. Insulation resistance: 1000MΩ min.
4. Withstand voltage: 1000V AC/minute.
5. Current rating: 3A AC/DC.
6. Voltage rating: 250V AC/DC

REV.	REVISION		DIS	DATE	UNLESS OTHERWISE SPECIFIED TOLERANCES 3 PLACE ±0.5 ±0.10 2 PLACE ±1.5 ±0.25 1 PLACE ±2.0 ±0.50 ANGLE DIM
SCALE	REV.	PAGE	UNIT	mm	
4/1	A	1	THIRD ANGLE PROJECTION		
				DWG NO:	C2546WJ



PART.NO 2546xxWJ061

10 9 8 7 6 5 4 3 2 1